

BUSH HOG®

LAND MAINTENANCE REPAIR PARTS MANUAL

**MODEL: RDTH SERIES
RDTH 60, RDTH 72, RDTH 84**

SECTION: 54



BUSH HOG®

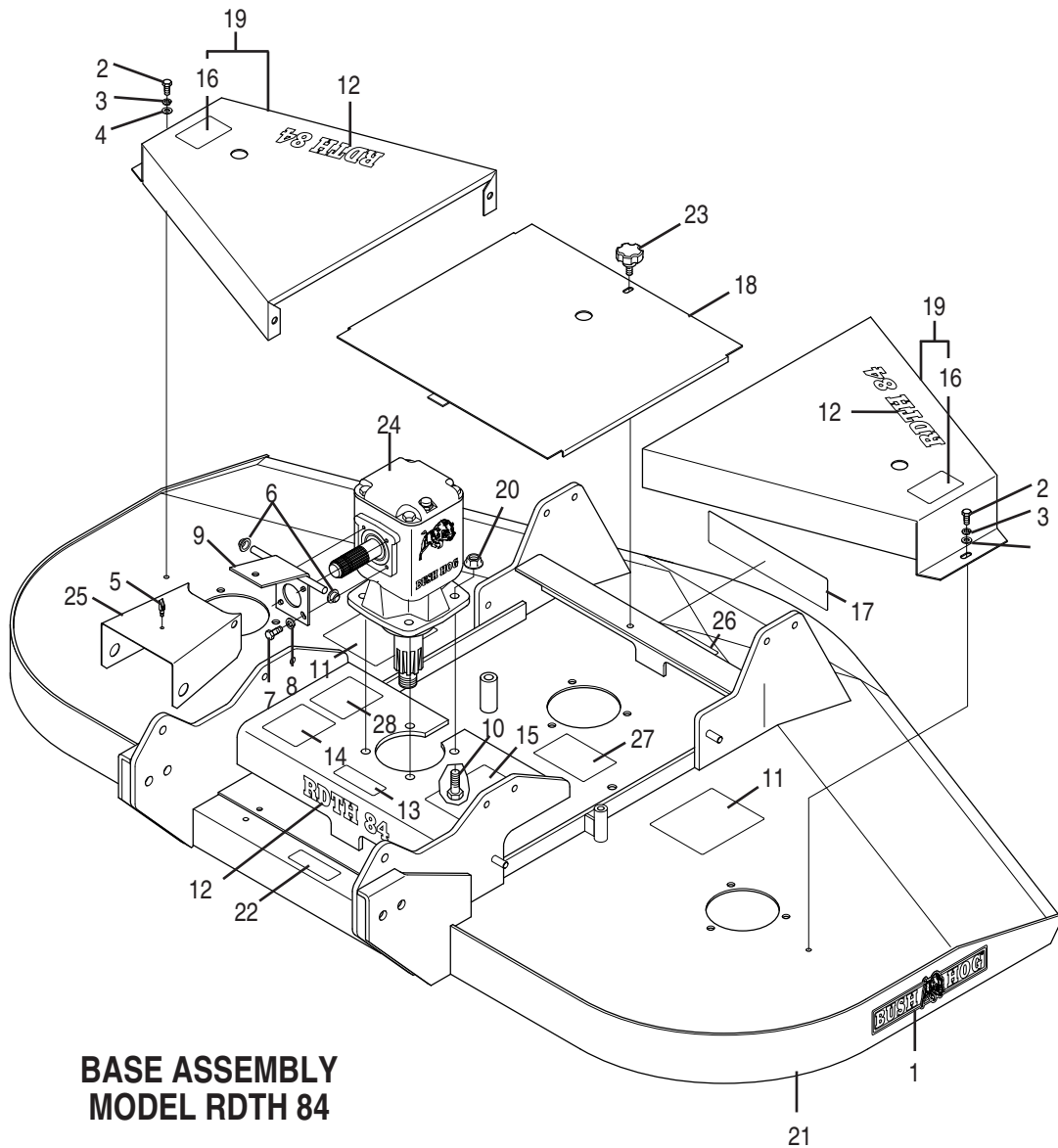
2501 Griffin Ave. • Selma, AL 36703
(334) 872-6261 • (334) 874-2700
Parts Ordering 1-800-304-2836
Fax 1-800-572-1784
www.bushhog.com



RDTH 60, RDTH 72, RDTH 84

ALPHABETICAL INDEX

| CONTENTS | PAGE |
|---|-----------------------|
| Base Frame RDTH 60 & RDTH72 | 54-1-2, 54-1-3 |
| Base Frame RDTH 84 | 54-1-1 |
| Belts, Drive RDTH 60 & RDTH 72 | 54-2-1 |
| Belts, Drive RDTH 84 | 54-2-3 |
| Caster Arm RDTH 60 & RDTH 72 | 54-5-3 |
| Caster Arm RDTH 84 | 54-5-4 |
| Decals RDTH 60 & RDTH 72 | 54-1-1 |
| Decals RDTH 84 | 54-1-2 |
| Driveshaft Assemblies | 54-4-1– 54-4-4 |
| Gearbox Assemblies | 54-3-1, 54-3-2 |
| Mast & Support RDTH 60 & RDTH 72 | 54-5-1 |
| Mast & Support RDTH 84 | 54-5-2 |
| Pulleys, Drive & Idlers RDTH 60 & 72 | 54-2-1 |
| Pulleys, Drive & Idlers RDTH 84 | 54-2-2 |
| Roller, Front RDTH 60 & RDTH 72 | 54-5-5 |
| Roller, Front RDTH 84 | 54-5-6 |
| Shields, Safety RDTH 60 & RDTH 72 | 54-1-1 through 54-1-3 |
| Shields, Safety RDTH 84 | 54-1-4, 54-1-5 |
| Spindle Assembly RDTH 60 & RDTH 72 | 54-2-2 |
| Spindle Assembly RDTH 84 | 54-2-4 |
| Wheel & Fork Assembly RDTH 60 & RDTH 72 | 54-5-3 |
| Wheel & Fork Assembly RDTH 84 | 54-5-4 |

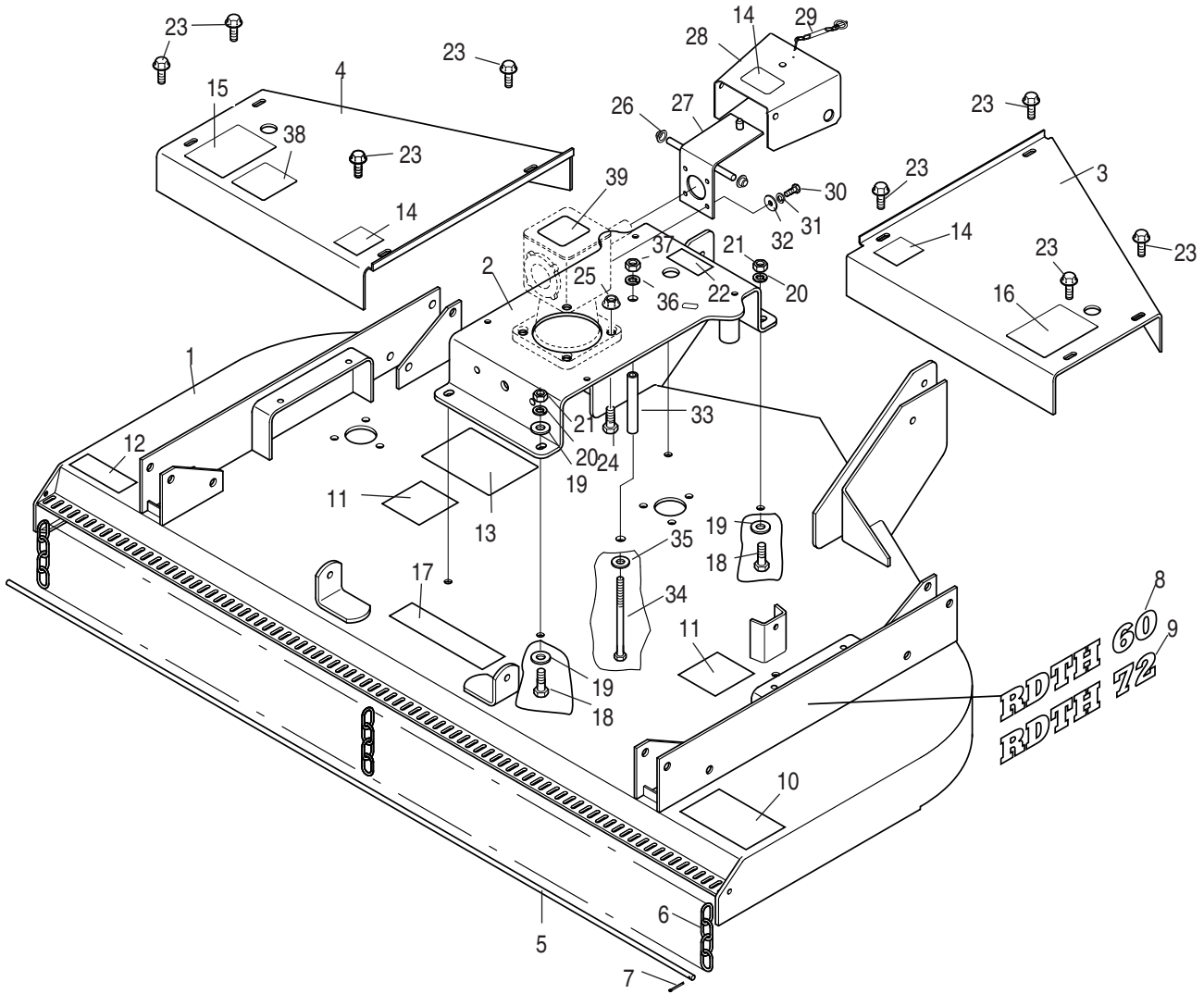


**BASE ASSEMBLY
MODEL RDTH 84**

| REF. NO. | PART NO. | QTY. | DESCRIPTION |
|----------|----------|------|-------------------------------|
| 1 | 50055113 | 2 | Bush Hog Decal |
| 2 | — | 2 | Capscrew 3/8" x 3/4" |
| 3 | — | 2 | Lockwasher 3/8" |
| 4 | — | 2 | Flatwasher 3/8" |
| 5 | 98284 | 1 | Swell Latch |
| 6 | 50014067 | 2 | Cap |
| 7 | 44215 | 4 | Capscrew M8 x 1.25 x 15 |
| 8 | — | 4 | Lockwasher 5/16" |
| 9 | 50031934 | 1 | Base Weldment, Gearbox Shield |
| 10 | — | 4 | Capscrew 5/8" x 1-3/4" |
| 11 | 50012616 | 2 | Danger Decal |
| 12 | 50028356 | 3 | Model Decal |
| 13 | 50042281 | 1 | Caution Decal, 540 RPM |
| 14 | 50042284 | 1 | Warning Decal |
| 15 | 50042283 | 1 | Warning Decal |
| 16 | 50012615 | 2 | Warning Decal |
| 17 | 50055121 | 1 | Bush Hog Decal |
| 18 | 50031768 | 1 | Shield Weldment |

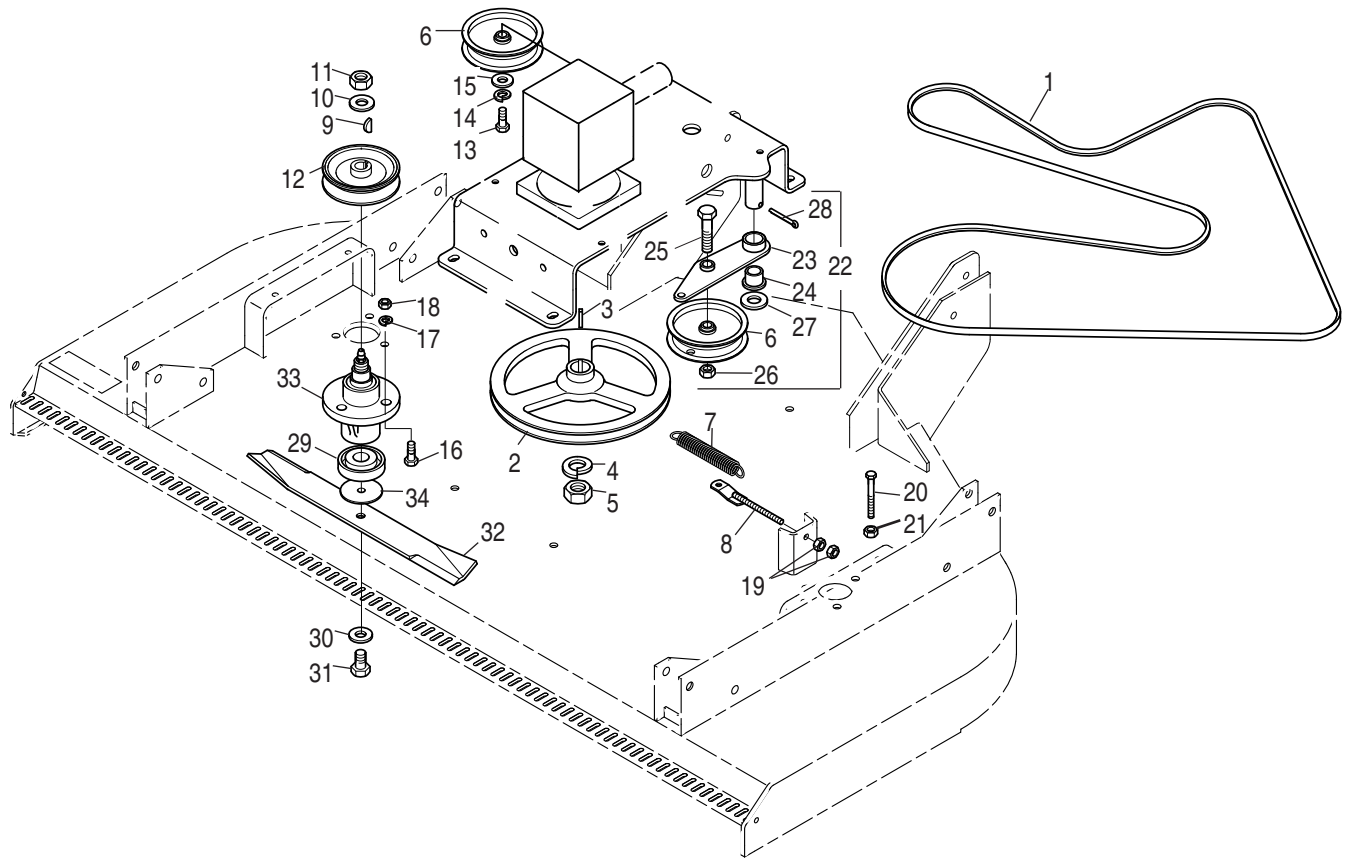
| REF. NO. | PART NO. | QTY. | DESCRIPTION |
|----------|----------|------|------------------------------|
| 19 | 50056744 | 2 | Belt Shield w/ Decal, Blue |
| | 50056745 | 2 | Belt Shield w/ Decal, Green |
| | 50056746 | 2 | Belt Shield w/ Decal, Orange |
| | 50056747 | 2 | Belt Shield w/ Decal, Red |
| 20 | 20414 | 4 | Flanged Locknut 5/8" |
| 21 | 50056740 | 1 | Deck w/ Decals, Blue |
| | 50056741 | 1 | Deck w/ Decals, Green |
| | 50056742 | 1 | Deck w/ Decals, Orange |
| | 50056743 | 1 | Deck w/ Decals, Red |
| 22 | 83056 | 1 | Warning Decal |
| 23 | 95736 | 1 | Knob |
| 24 | 71335 | 1 | Gearbox Assy. |
| 25 | 98251 | 1 | Input Shield |
| 26 | 50042282 | 1 | Danger Decal |
| 27 | 50038320 | 1 | Decal, Belt Installation |
| 28 | 50042285 | 1 | Warning Decal |

BASE ASSEMBLY MODELS RDTH 60 & RDTH 72



**BASE ASSEMBLY
MODELS RDTH 60 & RDTH 72**

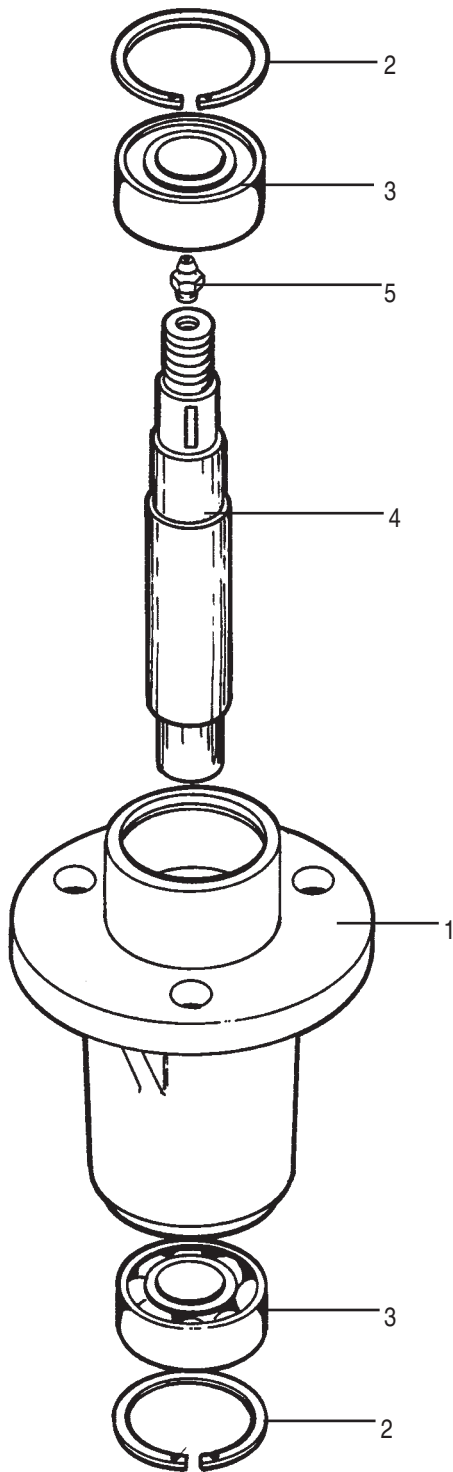
| REF. NO. | PART NO. RDTH 60 | PART NO. RDTH 72 | QTY. | DESCRIPTION |
|----------|------------------|------------------|------|---------------------------------|
| 1 | 50056724 | 50056732 | 1 | Deck w/ Decals, Blue |
| | 50056725 | 50056733 | 1 | Deck w/ Decals, Green |
| | 50056726 | 50056734 | 1 | Deck w/ Decals, Orange |
| | 50056727 | 50056735 | 1 | Deck w/ Decals, Red |
| 2 | 50056728 | 50056736 | 1 | Gearbox Mount w/ Decals, Blue |
| | 50056729 | 50056737 | 1 | Gearbox Mount w/ Decals, Green |
| | 50056730 | 50056738 | 1 | Gearbox Mount w/ Decals, Orange |
| | 50056731 | 50056739 | 1 | Gearbox Mount w/ Decals, Red |
| 3 | 50055171 | 50055191 | 1 | R.H. Shield w/ Decals, Blue |
| | 50055172 | 50055192 | 1 | R.H. Shield w/ Decals, Green |
| | 50055173 | 50055193 | 1 | R.H. Shield w/ Decals, Orange |
| | 50055174 | 50055194 | 1 | R.H. Shield w/ Decals, Red |
| 4 | 50055175 | 50055195 | 1 | L.H. Shield w/ Decals, Blue |
| | 50055176 | 50055196 | 1 | L.H. Shield w/ Decals, Green |
| | 50055177 | 50055197 | 1 | L.H. Shield w/ Decals, Orange |
| | 50055178 | 50055198 | 1 | L.H. Shield w/ Decals, Red |
| 5 | 94227 | — | 1 | Chain Rod 60" Deck |
| | — | 94228 | 1 | Chain Rod 72" Deck |
| 6 | 94226 | — | 71 | Chain 60" Deck |
| | — | 94226 | 84 | Chain 72" Deck |
| 7 | — | — | 1 | Cotter Pin 3/32" x 1" |
| 8 | 96101 | — | 1 | Model Decal RDTH60 |
| 9 | — | 96102 | 1 | Model Decal RDTH72 |
| 10 | 50042282 | 50042282 | 1 | Danger Decal |
| 11 | 50012616 | 50012616 | 2 | Danger Decal |
| 12 | 83056 | 83056 | 1 | Warning Decal |
| 13 | 88655 | 88655 | 1 | Belt Installation Decal |
| 14 | 50012615 | 50012615 | 3 | Warning Decal |
| 15 | 50042284 | 50042284 | 1 | Warning Decal |
| 16 | 50042283 | 50042283 | 1 | Warning Decal |
| 17 | 50055113 | 50055113 | 1 | Bush Hog Decal |
| 18 | — | — | 4 | Capscrew 1/2" x 1-1/2" Gr. 5 |
| 19 | — | — | 4 | Flatwasher 1/2" |
| 20 | — | — | 4 | Lockwasher 1/2" |
| 21 | — | — | 4 | Hex Nut 1/2" |
| 22 | 50042281 | 50042281 | 1 | Decal, 540 RPM |
| 23 | 86873 | 86873 | 8 | Capscrew, Flanged 3/8" x 3/4" |
| 24 | 15165 | 15165 | 4 | Capscrew 5/8" x 1-3/4" Gr. 5 |
| 25 | 20414 | 20414 | 4 | Locknut, Flanged 5/8" |
| 26 | 50014067 | 50014067 | 2 | Cap, Friction |
| 27 | 94305 | 94305 | 1 | Shield Mount |
| 28 | 94306 | 94306 | 1 | Shield |
| 29 | 6050096 | 6050096 | 1 | Pin & Chain Assy. |
| 30 | 44215 | 44215 | 4 | Capscrew M8 x 1.25 x 15mm |
| 31 | 44311 | 44311 | 4 | Lockwasher M8 |
| 32 | 44216 | 44216 | 4 | Flatwasher M8 |
| 33 | — | 97613 | 1 | Spacer (RDTH 72 Only) |
| 34 | 20680 | 20680 | 1 | Capscrew 3/8" x 5-1/2" Gr.5 |
| 35 | — | — | 1 | Flatwasher 3/8" |
| 36 | — | — | 1 | Lockwasher 3/8" |
| 37 | — | — | 1 | Hex Nut 3/8" |
| 38 | 50042285 | 50042285 | 1 | Warning Decal |
| 39 | 50057096 | 50057096 | 1 | Warranty Decal, 5 Yr. |



PULLEYS AND BELTS
For RDTH 60 & RDTH 72

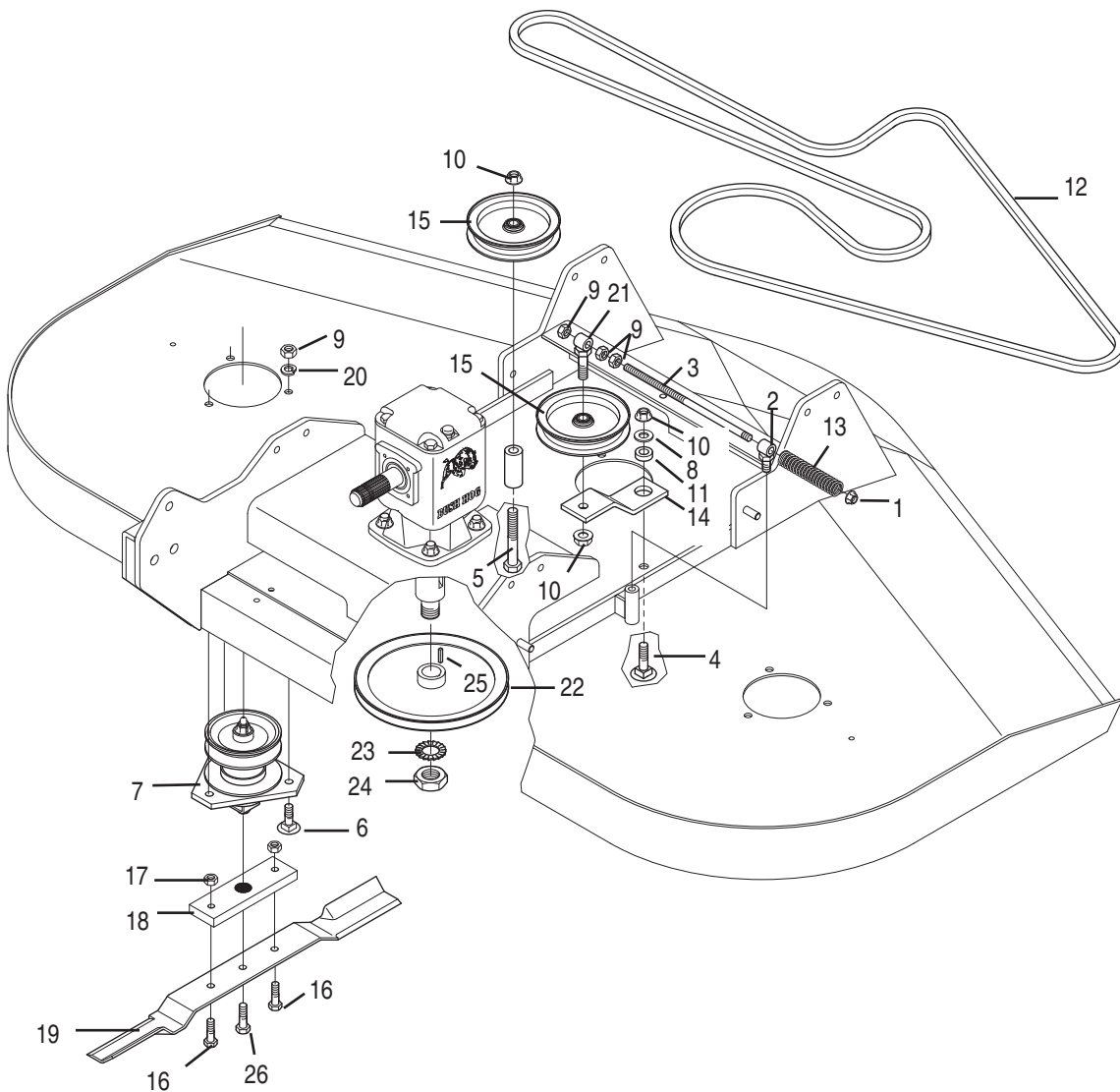
| REF. NO. | PART NO. | QTY. | DESCRIPTION |
|----------|----------|------|------------------------------|
| 1 | 88667 | 1 | Drive Belt for 5' Deck |
| | 88843 | 1 | Drive Belt for 6' Deck |
| 2 | 88666 | 1 | Drive Sheave for 5' Deck |
| | 88741 | 1 | Drive Sheave for 6' Deck |
| 3 | 70228 | 1 | Key 6 x 6 x 30mm |
| 4 | 70286 | 1 | Spring Washer |
| 5 | 70287 | 1 | Hex Nut M30 x 2 |
| 6 | 88663 | 2 | Idler Pulley |
| 7 | 50008038 | 1 | Tension Spring |
| 8 | 88669 | 1 | Rod Weldment |
| 9 | 88753 | 3 | Woodruff Key #606 |
| 10 | — | 3 | Flatwasher 5/8" SAE |
| 11 | 20414 | 3 | Locknut 5/8" Flanged |
| 12 | 88756 | 3 | Sheave 5-1/2" |
| 13 | — | 1 | Capscrew 5/8" x 2" Gr. 5 |
| 14 | — | 1 | Lockwasher 5/8" |
| 15 | 6050133 | 1 | Special Washer |
| 16 | — | 9 | Capscrew 1/2" x 1-1/2" Gr. 5 |
| 17 | — | 9 | Lockwasher 1/2" |

| REF. NO. | PART NO. | QTY. | DESCRIPTION |
|----------|----------|------|--|
| 18 | — | 9 | Hex Nut 1/2" |
| 19 | — | 2 | Hex Nut 3/8" |
| 20 | — | 1 | Capscrew 1/2" x 2-1/4" Gr. 5 (5' Only) |
| 21 | 15519 | 1 | Jam Nut 1/2" |
| 22 | 88671 | 1 | Idler Arm Assembly |
| 23 | 88703 | 1 | Idler Arm Weldment |
| 24 | 88691 | 1 | Bushing |
| 25 | — | 1 | Capscrew 5/8" x 3" Gr. 5 |
| 26 | 15598 | 1 | Locknut 5/8" |
| 27 | 20376 | 1 | Flatwasher 1" |
| 28 | — | 1 | Cotter Pin 3/16" x 1-1/2" |
| 29 | 88754 | 1 | Blade Washer |
| 30 | 44040 | 3 | Safety Washer |
| 31 | 44506 | 3 | Blade Bolt 1/2" x 1-3/4" UNF Gr. 8 |
| 32 | 82324 | 3 | Blade for 5' Deck, 21" |
| | 50029159 | 3 | Mulching Blade, 21" |
| | 82325 | 3 | Blade for 6' Deck, 25" |
| | 50029160 | 3 | Mulching Blade, 25" |
| 33 | 50051388 | 3 | Spindle Assembly |
| 34 | 97658 | A/R | Blade Spacer |



**50051388 SPINDLE ASSEMBLY
FOR RDTH 60 & RDTH 72**

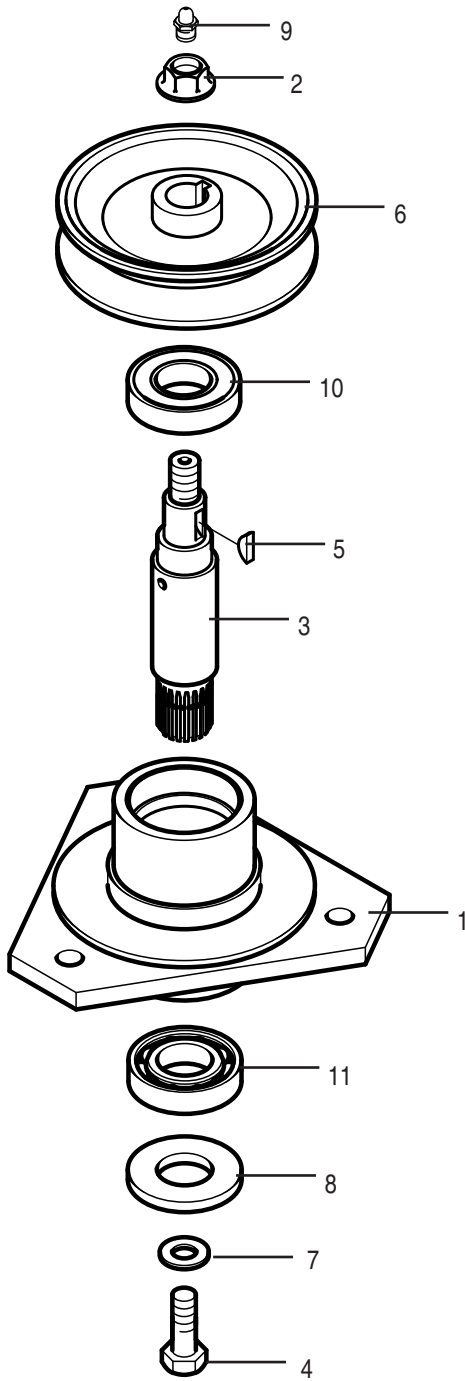
| REF. NO. | PART NO. | QTY. | DESCRIPTION |
|----------|----------|------|-----------------|
| 1 | 88751 | 1 | Spindle Housing |
| 2 | 97685 | 2 | Retaining Ring |
| 3 | 88749 | 2 | Bearing 25mm |
| 4 | 50051387 | 1 | Shaft |
| 5 | 449 | 1 | Grease Fitting |



PULLEYS AND BELTS
For Model RDTH 84

| REF. NO. | PART NO. | QTY. | DESCRIPTION |
|----------|----------|------|-----------------------------|
| 1 | 19518 | 1 | Flanged Locknut 1/2" |
| 2 | 95818 | 1 | Pivot Weldment |
| 3 | 50035330 | 1 | Rod, threaded |
| 4 | 44226 | 1 | Carriage Bolt 5/8" x 2" |
| 5 | — | 1 | Capscrew 5/8" x 4-1/2" |
| 6 | 05161614 | 9 | Carriage Bolt 1/2" x 1-1/2" |
| 7 | 50040718 | 3 | Spindle Assembly |
| 8 | — | 1 | Flatwasher 5/8" |
| 9 | — | 12 | Hex Nut 1/2" |
| 10 | 20414 | 2 | Flanged Locknut 5/8" |
| 11 | 50031996 | 1 | Idler Arm Bushing |
| 12 | 50031528 | 1 | Belt |
| 13 | 95827 | 1 | Spring |
| 14 | 50032236 | 1 | Idler Arm |

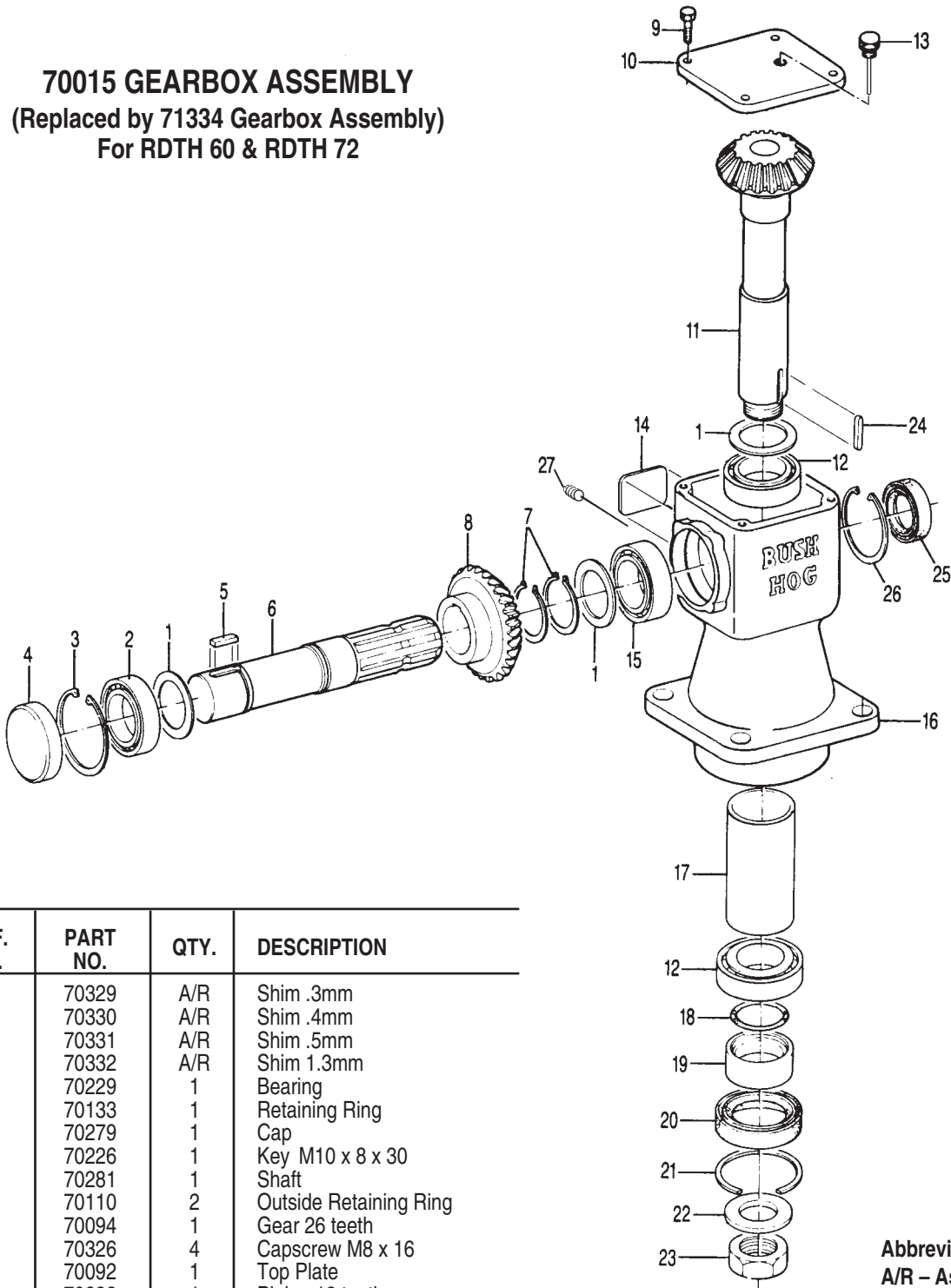
| REF. NO. | PART NO. | QTY. | DESCRIPTION |
|----------|----------|------|---------------------------------|
| 15 | 50031997 | 2 | Idler |
| 16 | — | 6 | Capscrew 1/2" x 1-3/4" |
| 17 | 20964 | 6 | Locknut 1/2" NF |
| 18 | 50031815 | 3 | Blade Bar |
| 19 | 50033779 | 3 | Blade, 29" |
| | 50042934 | 3 | Blade, Low Lift |
| 20 | — | 9 | Lockwasher 1/2" |
| 21 | 50031938 | 1 | Pivot Weldment |
| 22 | 50031998 | 1 | Sheave, 11.125" |
| 23 | 70286 | 1 | Ext. Tooth Washer |
| 24 | 70287 | 1 | Hex Nut M30 |
| 25 | 70288 | 1 | Parallel Key 6 x 6 x 30 |
| 26 | 44506 | 1 | Capscrew 1/2" x 1-3/4" Gr.8 UNF |



50040718 SPINDLE ASSMBLY
For RDTH84

| REF. NO. | PART NO. | QTY. | DESCRIPTION |
|----------|----------|------|-------------------------------|
| 1 | 50031813 | 1 | Spindle Housing |
| 2 | 20414 | 1 | Flanged Locknut 5/8" |
| 3 | 50051389 | 1 | Shaft |
| 4 | 44506 | 1 | Capscrew 1/2" x 1-3/4" UNF G8 |
| 5 | 88753 | 1 | Woodruff Key #606 |
| 6 | 88756 | 1 | Sheave 5.5" |
| 7 | 44040 | 1 | Safety Washer |
| 8 | 50031811 | 1 | Bearing Washer |
| 9 | 449 | 1 | Grease Fitting |
| 10 | 50032181 | 1 | Bearing 6206 Z |
| 11 | 50032182 | 1 | Bearing 6206 RS |

70015 GEARBOX ASSEMBLY
 (Replaced by 71334 Gearbox Assembly)
 For RDTH 60 & RDTH 72



| REF. NO. | PART NO. | QTY. | DESCRIPTION |
|----------|----------|------|------------------------|
| 1 | 70329 | A/R | Shim .3mm |
| | 70330 | A/R | Shim .4mm |
| | 70331 | A/R | Shim .5mm |
| | 70332 | A/R | Shim 1.3mm |
| 2 | 70229 | 1 | Bearing |
| 3 | 70133 | 1 | Retaining Ring |
| 4 | 70279 | 1 | Cap |
| 5 | 70226 | 1 | Key M10 x 8 x 30 |
| 6 | 70281 | 1 | Shaft |
| 7 | 70110 | 2 | Outside Retaining Ring |
| 8 | 70094 | 1 | Gear 26 teeth |
| 9 | 70326 | 4 | Capscrew M8 x 16 |
| 10 | 70092 | 1 | Top Plate |
| 11 | 70282 | 1 | Pinion 12 teeth |
| 12 | 70082 | 2 | Bearing |
| 13 | 70393 | 1 | Vent Plug |
| 14 | N/A | 1 | Serial No. Plate |
| 15 | 70129 | 1 | Bearing |
| 16 | 70283 | 1 | Housing |
| 17 | 70284 | 1 | Spacer Ring |
| 18 | 70081 | 1 | Gasket |
| 19 | 70285 | 1 | Bushing |
| 20 | 70080 | 1 | Seal |
| 21 | 70079 | 1 | Shoulder Ring |

Abbreviations:
 A/R – As Required
 N/A – Not Available

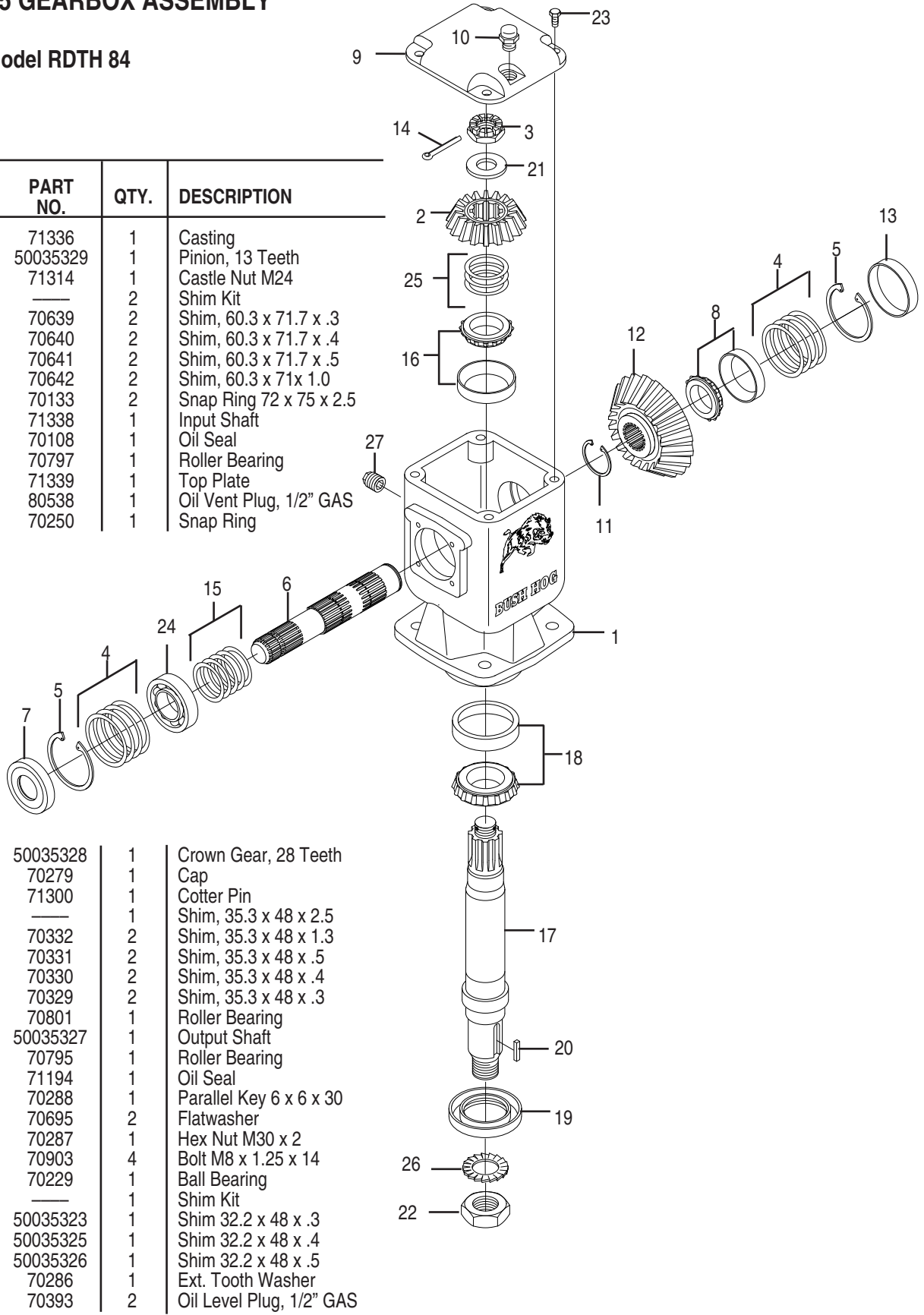
| REF. NO. | PART NO. | QTY. | DESCRIPTION |
|----------|----------|------|-------------------|
| 22 | 70286 | 1 | Spring Washer |
| 23 | 70287 | 1 | Hex Nut |
| 24 | 70288 | 1 | Key 6 x 6 x 30 mm |
| 25 | 70290 | 1 | Seal |
| 26 | 70291 | 1 | Retaining Ring |
| *27 | 70181 | 1 | Plug 3/8" |

*Silicone Sealer may be used in place of gasket

71335 GEARBOX ASSEMBLY

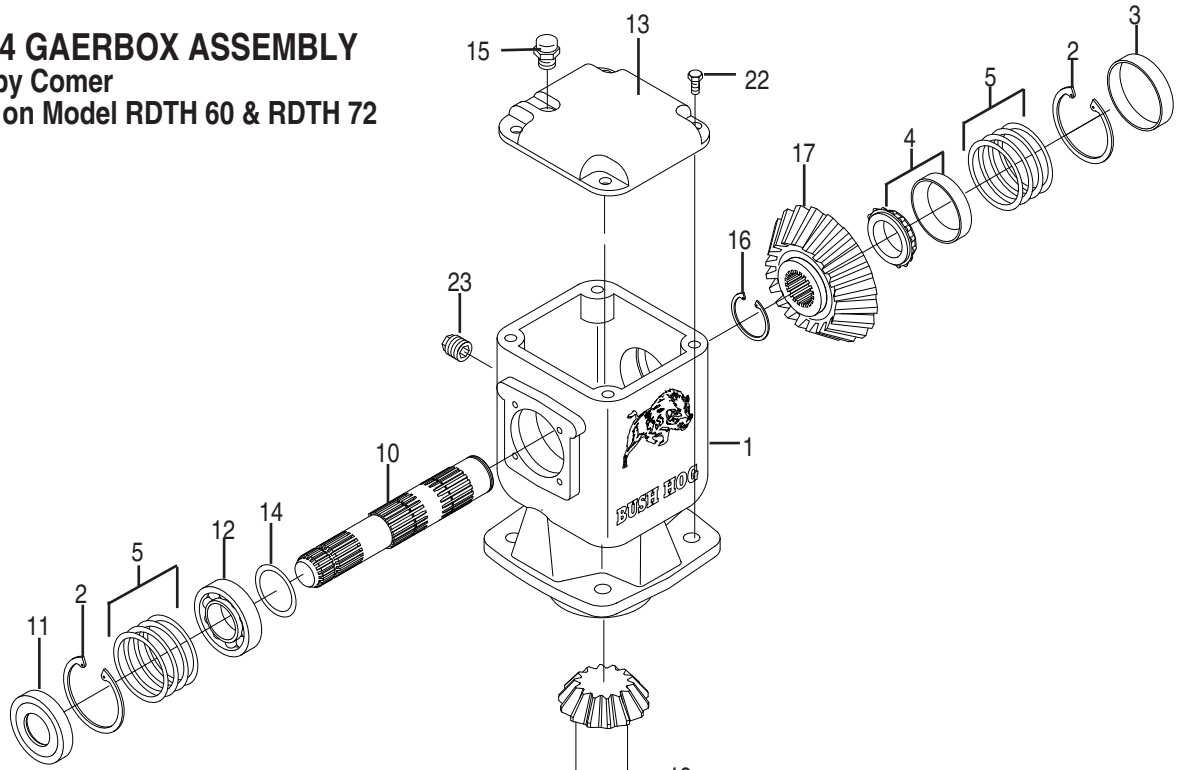
For Model RDTH 84

| REF. NO. | PART NO. | QTY. | DESCRIPTION |
|----------|----------|------|-------------------------|
| 1 | 71336 | 1 | Casting |
| 2 | 50035329 | 1 | Pinion, 13 Teeth |
| 3 | 71314 | 1 | Castle Nut M24 |
| 4 | — | 2 | Shim Kit |
| | 70639 | 2 | Shim, 60.3 x 71.7 x .3 |
| | 70640 | 2 | Shim, 60.3 x 71.7 x .4 |
| | 70641 | 2 | Shim, 60.3 x 71.7 x .5 |
| | 70642 | 2 | Shim, 60.3 x 71x 1.0 |
| 5 | 70133 | 2 | Snap Ring 72 x 75 x 2.5 |
| 6 | 71338 | 1 | Input Shaft |
| 7 | 70108 | 1 | Oil Seal |
| 8 | 70797 | 1 | Roller Bearing |
| 9 | 71339 | 1 | Top Plate |
| 10 | 80538 | 1 | Oil Vent Plug, 1/2" GAS |
| 11 | 70250 | 1 | Snap Ring |

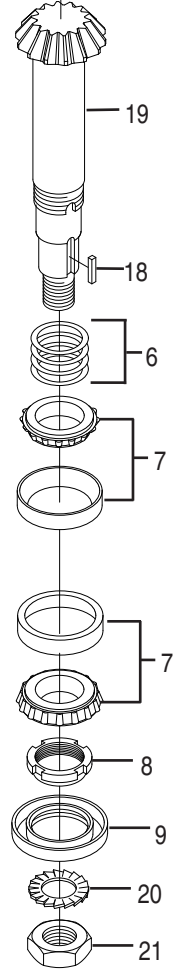


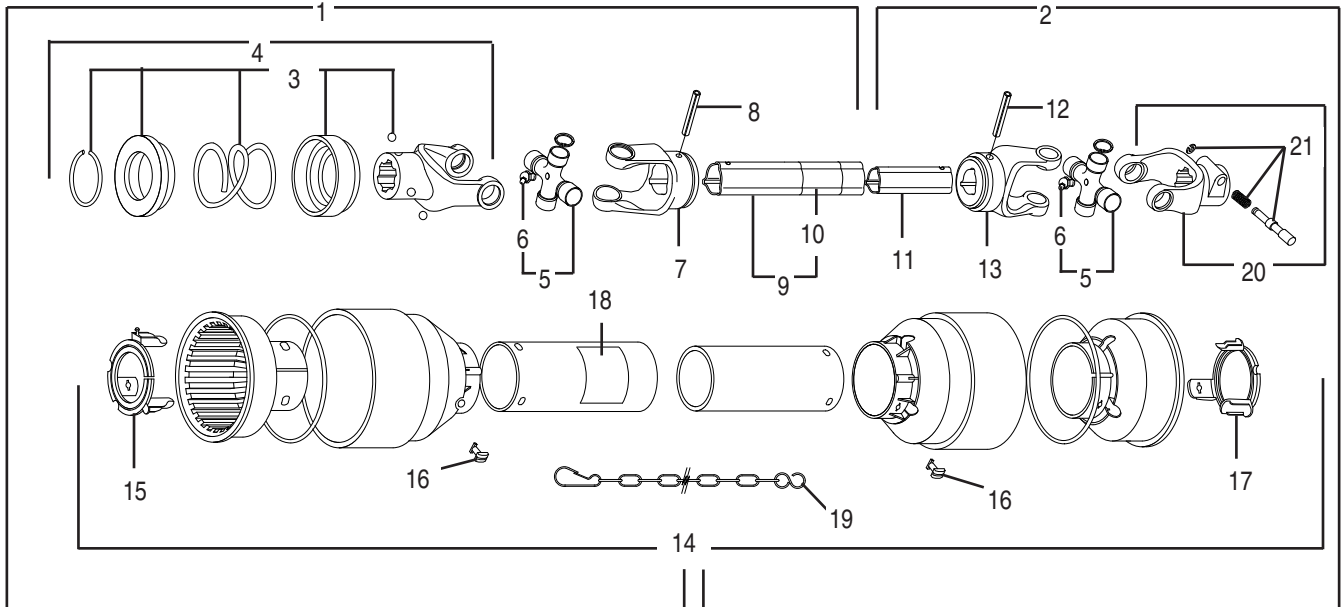
| | | | |
|----|----------|---|--------------------------|
| 12 | 50035328 | 1 | Crown Gear, 28 Teeth |
| 13 | 70279 | 1 | Cap |
| 14 | 71300 | 1 | Cotter Pin |
| 15 | — | 1 | Shim, 35.3 x 48 x 2.5 |
| | 70332 | 2 | Shim, 35.3 x 48 x 1.3 |
| | 70331 | 2 | Shim, 35.3 x 48 x .5 |
| | 70330 | 2 | Shim, 35.3 x 48 x .4 |
| | 70329 | 2 | Shim, 35.3 x 48 x .3 |
| 16 | 70801 | 1 | Roller Bearing |
| 17 | 50035327 | 1 | Output Shaft |
| 18 | 70795 | 1 | Roller Bearing |
| 19 | 71194 | 1 | Oil Seal |
| 20 | 70288 | 1 | Parallel Key 6 x 6 x 30 |
| 21 | 70695 | 2 | Flatwasher |
| 22 | 70287 | 1 | Hex Nut M30 x 2 |
| 23 | 70903 | 4 | Bolt M8 x 1.25 x 14 |
| 24 | 70229 | 1 | Ball Bearing |
| 25 | — | 1 | Shim Kit |
| | 50035323 | 1 | Shim 32.2 x 48 x .3 |
| | 50035325 | 1 | Shim 32.2 x 48 x .4 |
| | 50035326 | 1 | Shim 32.2 x 48 x .5 |
| 26 | 70286 | 1 | Ext. Tooth Washer |
| 27 | 70393 | 2 | Oil Level Plug, 1/2" GAS |

71334 GAERBOX ASSEMBLY
 Mfd. by Comer
 Used on Model RDTH 60 & RDTH 72



| REF. NO. | PART NO. | QTY. | DESCRIPTION |
|----------|----------|------|---------------------------|
| 1 | 50042820 | 1 | Casting |
| 2 | 70133 | 2 | Snap Ring 72 x 75 x 2.5 |
| 3 | 70279 | 1 | Oil Cap |
| 4 | 70797 | 1 | Ball Bearing 30207 |
| 5 | 70639 | 2 | Shim 60.3 x 71.7 x .03 |
| | 70640 | 2 | Shim 60.3 x 71.7 x .04 |
| 6 | 70641 | 2 | Shim 60.3 x 71.7 x .05 |
| | 70642 | 2 | Shim 60.3 x 71.7 x 1.0 |
| 7 | 70348 | 1 | Shim 45.3 x 65.3 x .03 |
| | 70349 | 1 | Shim 45.3 x 65.3 x .04 |
| | 70350 | 1 | Shim 45.3 x 65.3 x .05 |
| | 70351 | 1 | Shim 45.3 x 65.3 x 1.0 |
| | 70796 | 2 | Roller Bearing 30209 |
| 8 | 70905 | 1 | Nut M45 |
| 9 | 70848 | 1 | Dust Lip 40 x 90 x 8 |
| 10 | 50042822 | 1 | Input Shaft 1-3/8" Z6 |
| 11 | 70134 | 1 | Oil Seal 35 x 72 x 12 |
| 12 | 71453 | 1 | Ball Bearing 6207 |
| 13 | 50042823 | 1 | Cover |
| 14 | F7502811 | 1 | Shim 35.3 x 48 x 2.5 |
| 15 | 80538 | 1 | 1/2" GAS Solid Plug |
| 16 | 70250 | 1 | Snap Ring 40 x 37.5 x 2.5 |
| 17 | 50042824 | 1 | Crown Z30 |
| 18 | 70288 | 1 | Parallel Key 6 x 6 x 30 |
| 19 | 50042826 | 1 | Pinion Z12 |
| 20 | 70286 | 1 | Ext. Tooth Washer 31 x 48 |
| 21 | 70287 | 1 | Hex Nut M30 |
| 22 | 70278 | 4 | Bolt M8 x 1.25 x 20 |
| 23 | 70292 | 1 | 3/8" GAS Solid Plug |





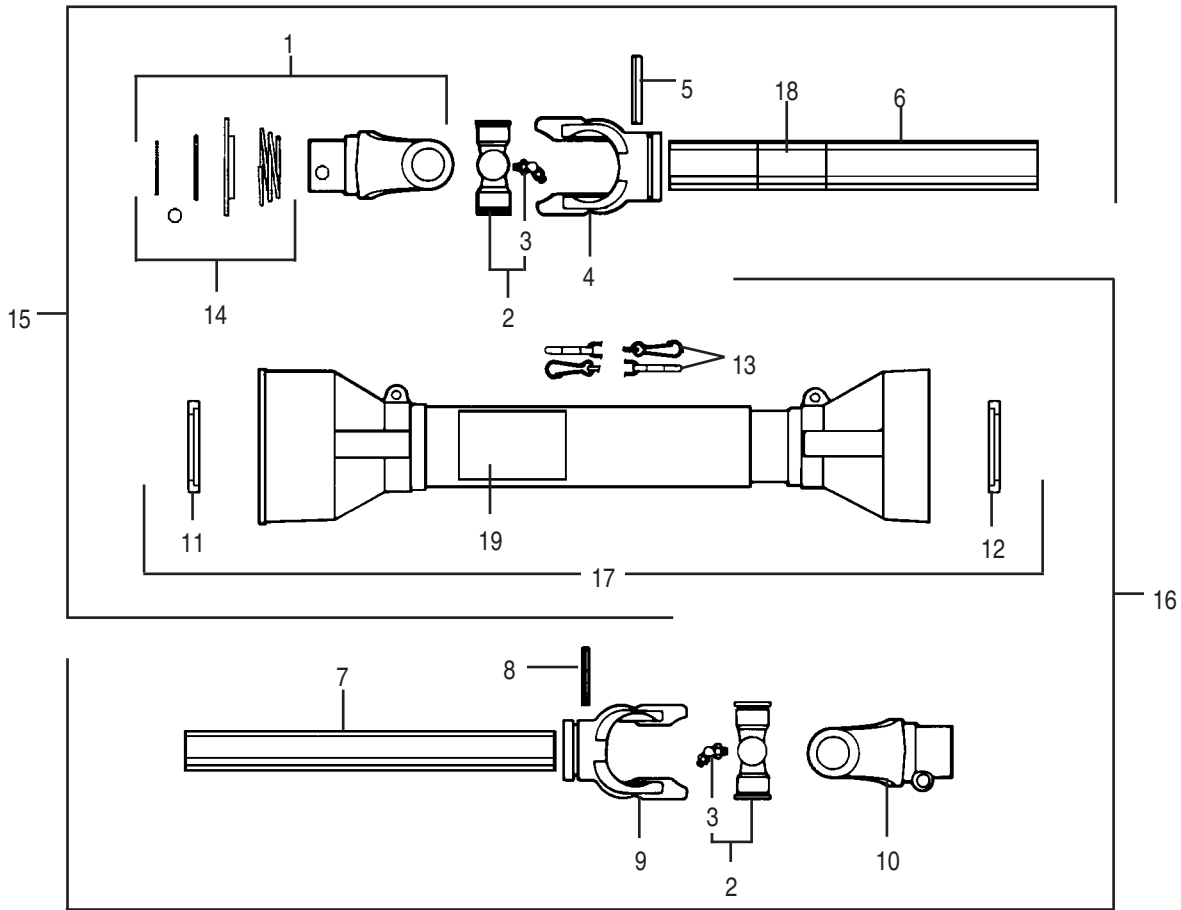
7672 DRIVESHAFT ASSEMBLY
540 RPM 1-3/8" – 6 Spline Yoke
Mfr: Comer/EG
Models: RDTH60 & RDTH72
Replaced by 50053120 Driveshaft

| REF. NO. | PART NO. | QTY. | DESCRIPTION |
|----------|----------|------|-------------------------|
| 1 | 76808 | 1 | Outer Half w/Shield |
| 2 | 76096 | 1 | Inner Half w/Shield |
| 3 | 50017480 | 1 | Ball Collar Kit 1-3/8" |
| 4 | 76711 | 1 | Complete Collar Yoke |
| 5 | 64694 | 2 | Cross Bearing Kit |
| 6 | 63956 | 2 | Grease Fitting |
| 7 | 78571 | 1 | Outer Yoke |
| 8 | 78577 | 1 | Roll Pin for Outer Yoke |
| 9 | 82800 | 1 | Outer Tube |
| 10 | 78786 | 1 | Danger Decal |
| 11 | 82801 | 1 | Inner Tube |
| 12 | 78578 | 1 | Roll Pin for Inner Yoke |
| 13 | 78570 | 1 | Inner Yoke |
| 14 | 76146 | 1 | Shield Assy. |
| 15 | 76192 | 1 | Outer Bearing |
| 16 | 87992 | 6 | Shield Bolt |
| 17 | 76191 | 1 | Inner Bearing |
| 18 | 78608 | 1 | Danger Decal |
| 19 | 64814 | 2 | Safety Chain |
| 20 | 76126 | 1 | Push Pin Yoke |
| 21 | 76062 | 1 | Push Pin Set |

76062 Push Pin Set

Note: Some early driveshafts were shipped with push pins on the tractor yoke end. Order 76062 push pin set to replace pin. Order 76711 for complete yoke replacement.

Note: Extended length of this driveshaft is 56-1/2"



(OBSOLETE)

50034246 DRIVESHAFT ASSEMBLY

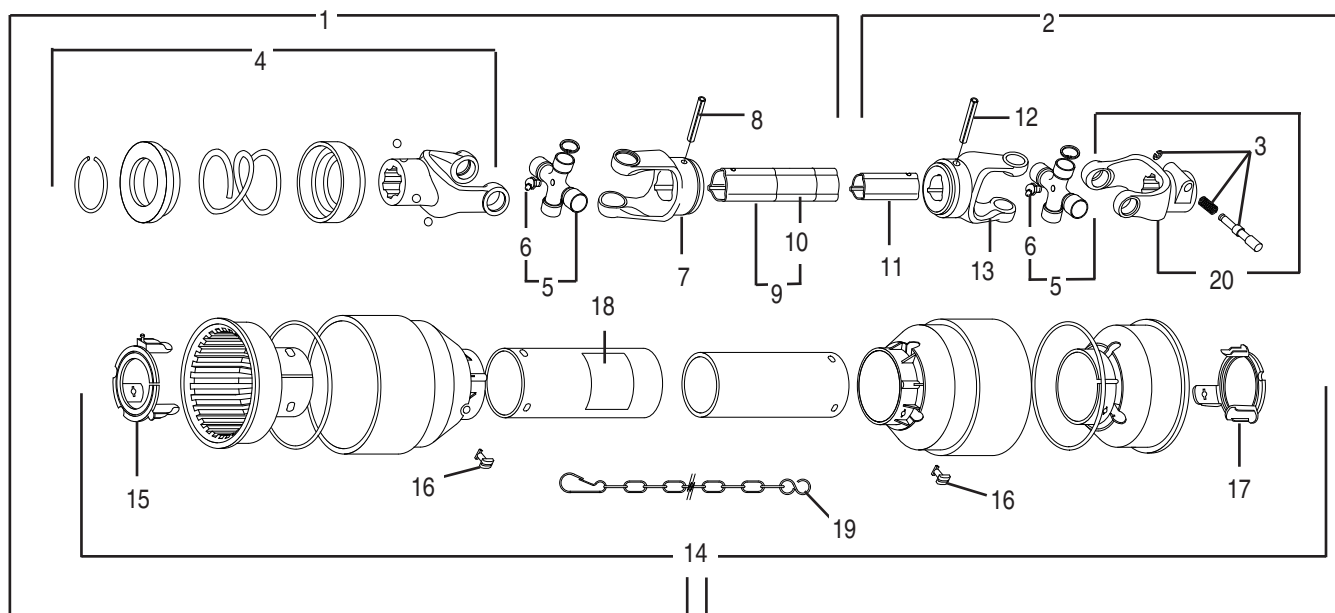
540 RPM, 1-3/8" – 6 spline, ASAE Size 3

Mfr: Binacchi

Models: RDTH60, RDTH72, RDTH84

Replaced by 50063616 Driveshaft Assembly

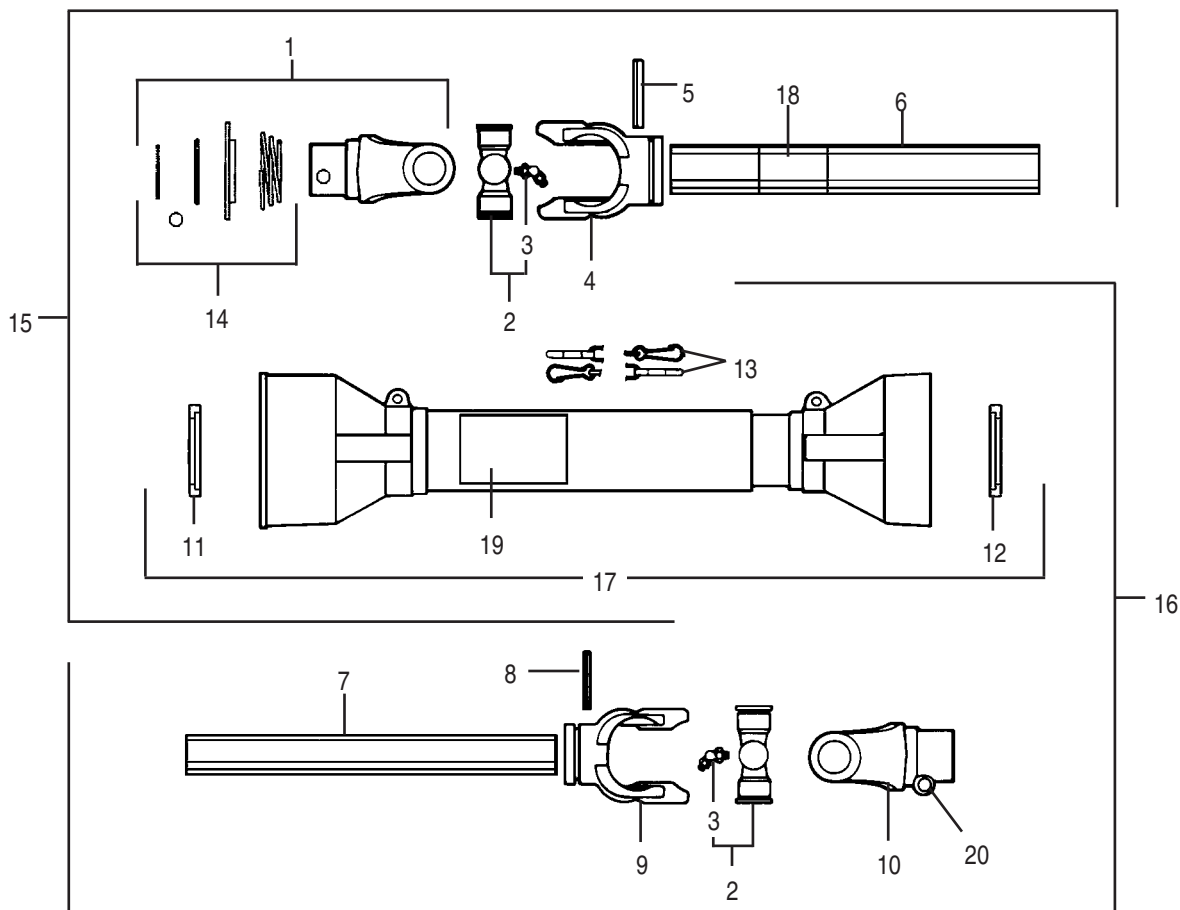
| REF. NO. | PART NO. | QTY. | DESCRIPTION |
|----------|----------|------|----------------------|
| 1 | 50035260 | 1 | Complete Collar Yoke |
| 2 | 64694 | 2 | Cross Journal Set |
| 3 | 63956 | 2 | Grease Nipple |
| 4 | 78571 | 1 | Outer Tube Yoke |
| 5 | 78577 | 1 | Flexible Pin |
| 6 | 82800 | 1 | Outer Tube |
| 7 | 82801 | 1 | Inner Tube |
| 8 | 78578 | 1 | Flexible Pin |
| 9 | 78570 | 1 | Inner Tube Yoke |
| 10 | 64692 | 1 | Outer Yoke |
| 11 | 90008 | 1 | Outer Bearing |
| 12 | 50042832 | 1 | Inner Bearing |
| 13 | 64814 | 2 | Chain |
| 14 | 50035261 | 1 | Ball Collar Kit |
| 15 | 50035268 | 1 | Half Shaft, Outer |
| 16 | 50035295 | 1 | Half Shaft, Inner |
| 17 | 90012 | 1 | Safety Guard |
| 18 | 78786 | 1 | Danger Decal |
| 19 | 78608 | 1 | Danger Decal |



76978 DRIVESHAFT ASSEMBLY
540 RPM 1-3/8" – 6 Spline Yoke
Mfr: Comer/EG
Model: RDTH84

| REF. NO. | PART NO. | QTY. | DESCRIPTION |
|----------|----------|------|-------------------------|
| 1 | 76986 | 1 | Outer Half w/Shield |
| 2 | 76987 | 1 | Inner Half w/Shield |
| 3 | 76062 | 1 | Push Pin Set |
| 4 | 76711 | 1 | Complete Collar Yoke |
| 5 | 64694 | 2 | Cross Bearing Kit |
| 6 | 63956 | 2 | Grease Fitting |
| 7 | 78571 | 1 | Outer Yoke |
| 8 | 78577 | 1 | Roll Pin for Outer Yoke |
| 9 | 76983 | 1 | Outer Tube |
| 10 | 78786 | 1 | Danger Decal |
| 11 | 76984 | 1 | Inner Tube |
| 12 | 78578 | 1 | Roll Pin for Inner Yoke |
| 13 | 78570 | 1 | Inner Yoke |
| 14 | 76985 | 1 | Shield Assy. |
| 15 | 76192 | 1 | Outer Bearing |
| 16 | 87992 | 6 | Shield Bolt |
| 17 | 76191 | 1 | Inner Bearing |
| 18 | 78608 | 1 | Danger Decal |
| 19 | 64814 | 2 | Safety Chain |
| 20 | 76126 | 1 | Push Pin Yoke |

Note: Extended length of this driveshaft is 50-1/2"



(OBSOLETE)

50042430 DRIVESHAFT ASSEMBLY

540 RPM, 1-3/8" – 6 spline, ASAE Size 3

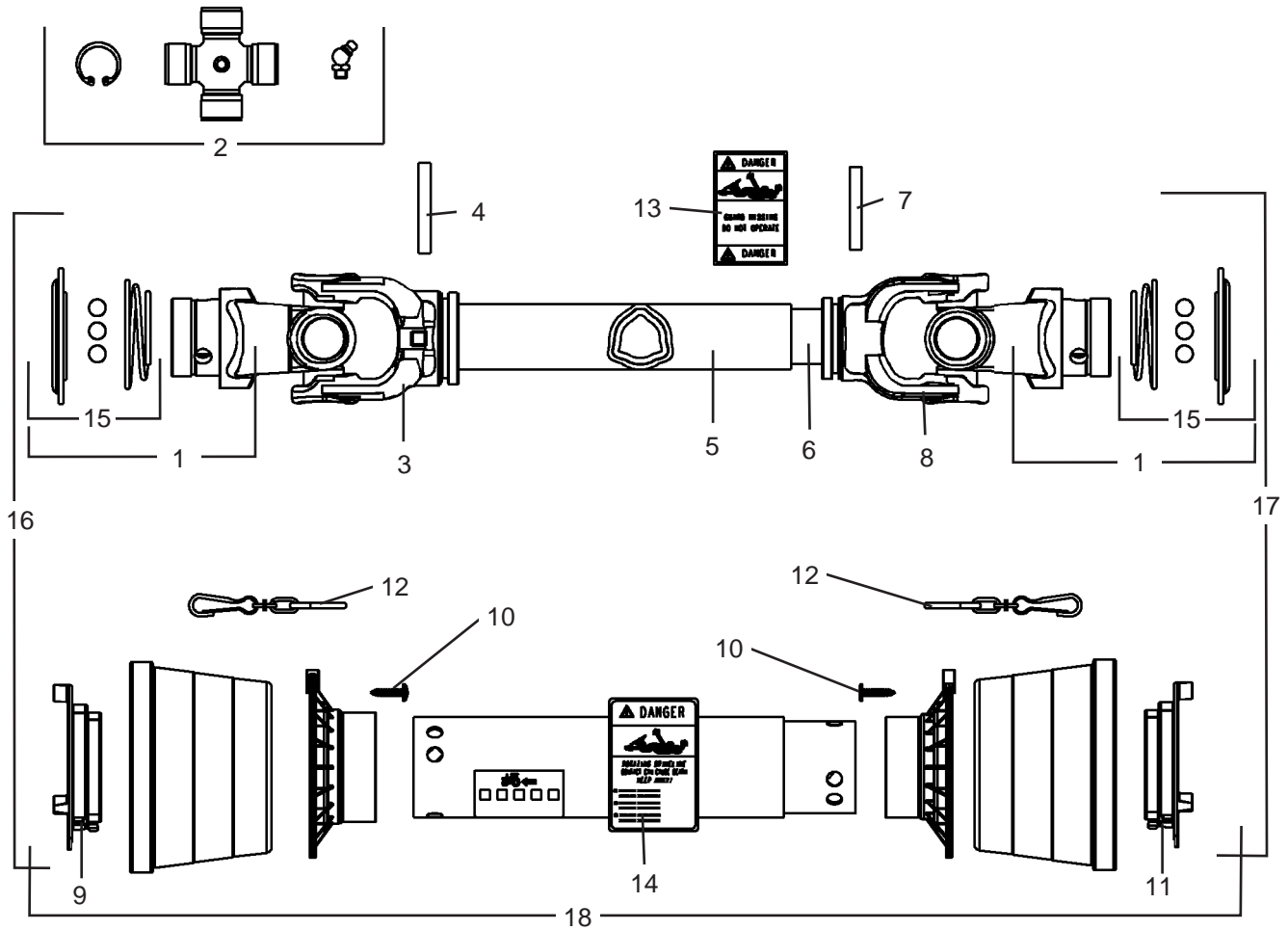
Mfr: Binacchi

Replaced By 50063620

Model: RDTH84

| REF. NO. | PART NO. | QTY. | DESCRIPTION |
|----------|----------|------|----------------------|
| 1 | 50042827 | 1 | Complete Collar Yoke |
| 2 | 64694 | 2 | Cross Journal Set |
| 3 | 63956 | 2 | Grease Nipple |
| 4 | 78571 | 1 | Outer Tube Yoke |
| 5 | 78577 | 1 | Flexible Pin |
| 6 | 50042829 | 1 | Outer Tube |
| 7 | 50042830 | 1 | Inner Tube |
| 8 | 78578 | 1 | Flexible Pin |
| 9 | 78570 | 1 | Inner Tube Yoke |
| 10 | 64692 | 1 | Outer Yoke |
| 11 | 50042831 | 1 | Outer Bearing |
| 12 | 50042832 | 1 | Inner Bearing |
| 13 | 64814 | 2 | Chain |
| 14 | 50042833 | 1 | Ball Collar Kit |
| 15 | 50035268 | 1 | Half Shaft, Outer |
| 16 | 50035295 | 1 | Half Shaft, Inner |
| 17 | 90012 | 1 | Safety Guard |
| 18 | 78786 | 1 | Danger Decal |
| 19 | 78608 | 1 | Danger Decal |
| 20 | 63945 | 1 | Complete Push Button |

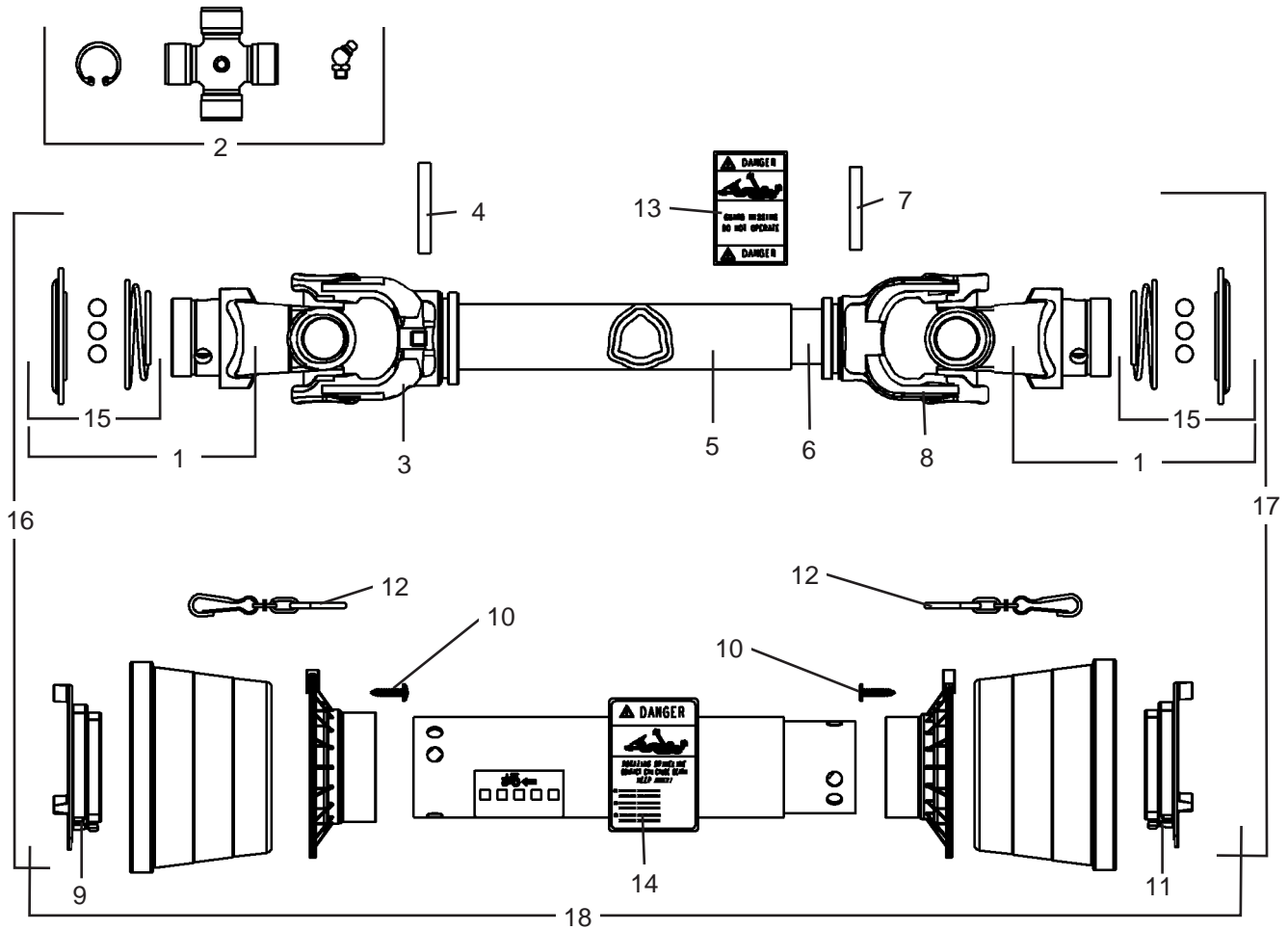
50063616 DRIVE SHAFT ASSEMBLY
 (Replaces the 50034246 Driveshaft Assy.)
 MODELS: RDTH 60, RDTH72
 ASAE Size 3
 540 RPM, 1-3/8" - Spline Tractor
 Mfd. by Bondioli & Pavesi



| REF. NO. | PART NO. | QTY. | DESCRIPTION |
|----------|----------|------|-------------------------|
| 1 | 50064902 | 2 | Ball Collar Yoke Assy. |
| 2 | 64964 | 2 | Cross Bearing Kit |
| 3 | 78571 | 1 | Yoke Outer Tube |
| 4 | 78577 | 1 | Roll Pin for Outer Tube |
| 5 | 50064906 | 1 | Outer Tube |
| 6 | 50064907 | 1 | Inner Tube |
| 7 | 78578 | 1 | Roll Pin Inner Tube |
| 8 | 78570 | 1 | Yoke for Inner Tube |
| 9 | 50064911 | 1 | Outer Shield Bearing |

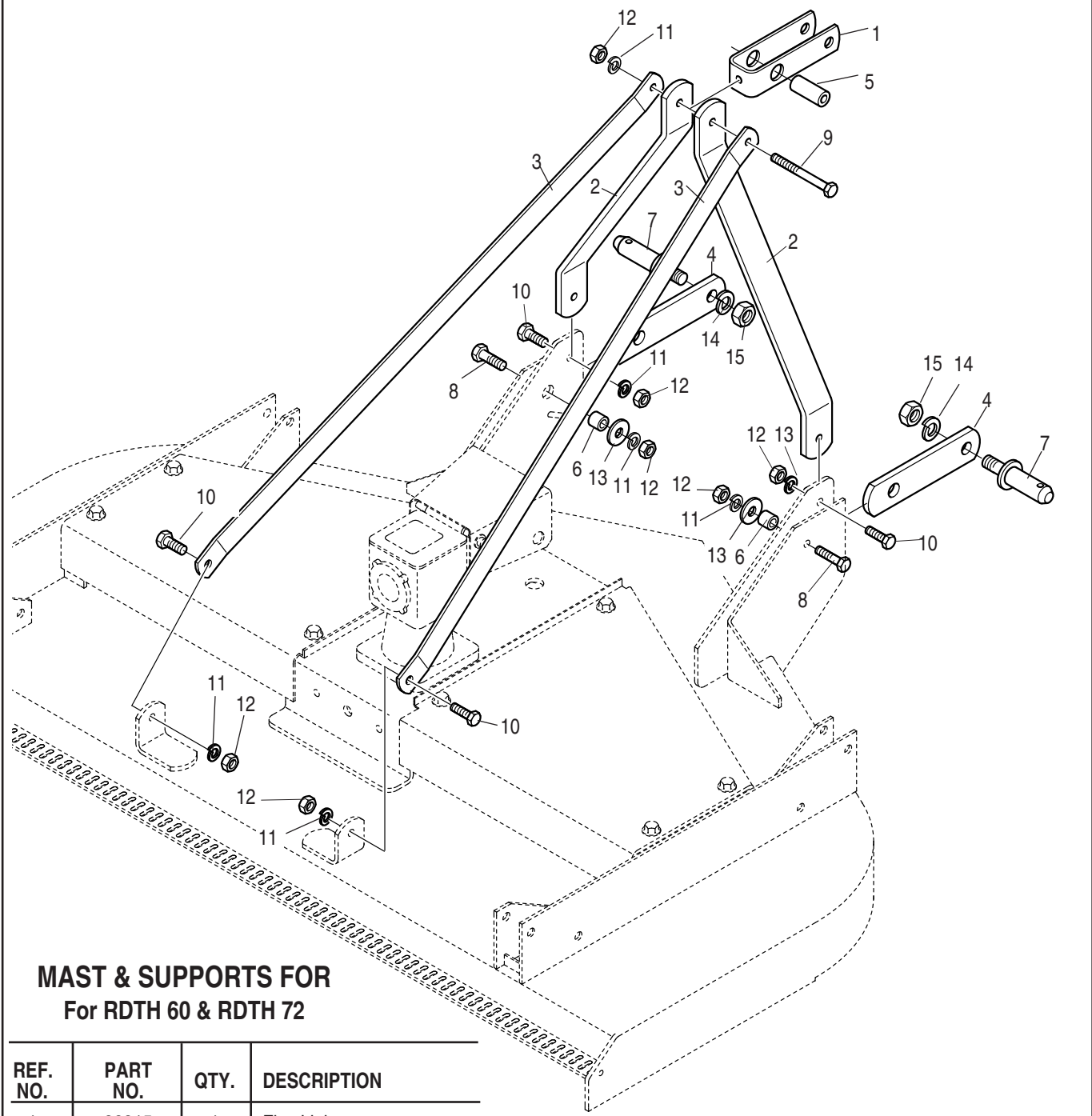
| REF. NO. | PART NO. | QTY. | DESCRIPTION |
|----------|----------|------|--------------------------|
| 10 | 71404 | 6 | Self Tapping Screw |
| 11 | 50064912 | 1 | Inner Shield Bearing |
| 12 | 50064890 | 2 | Shield Chain |
| 13 | 78786 | 1 | Danger Decal, Outer Tube |
| 14 | 78608 | 1 | Danger Decal, Inner Tube |
| 15 | 50064645 | 2 | Ball Collar Kit |
| 16 | 50064914 | 1 | Outer Half Assy. |
| 17 | 50064940 | 1 | Inner Half Assy. |
| 18 | 50064916 | 1 | Complete Shield Kit |

50063620 DRIVE SHAFT ASSEMBLY
 (Replaces the 50034246 Driveshaft Assy.)
 MODEL: RDTH 84
 ASAE Size 3
 540 RPM, 1-3/8" - Spline Tractor
 Mfd. by Bondioli & Pavesi



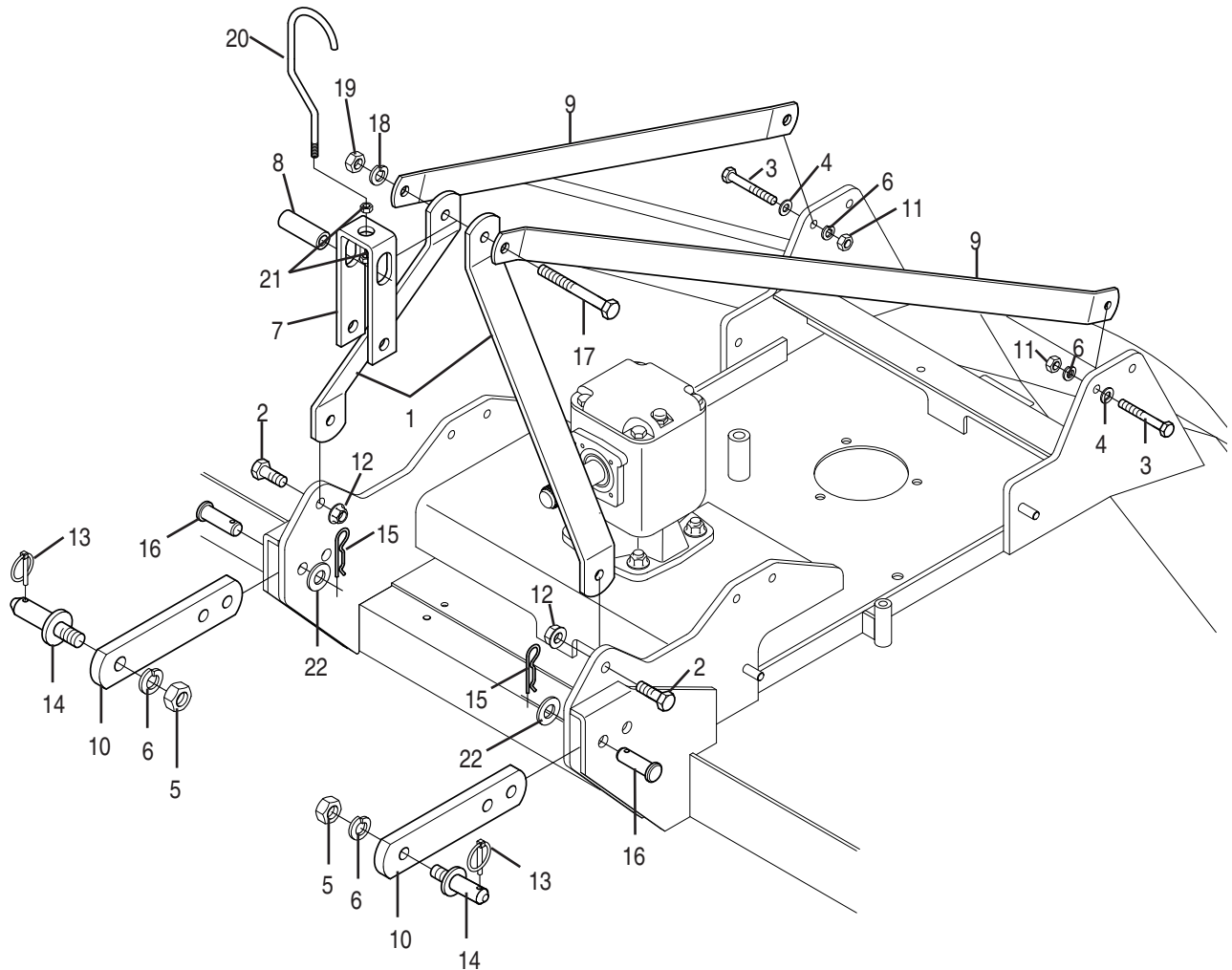
| REF. NO. | PART NO. | QTY. | DESCRIPTION |
|----------|----------|------|-------------------------|
| 1 | 50064902 | 2 | Ball Collar Yoke Assy. |
| 2 | 64964 | 2 | Cross Bearing Kit |
| 3 | 78571 | 1 | Yoke Outer Tube |
| 4 | 78577 | 1 | Roll Pin for Outer Tube |
| 5 | 50064776 | 1 | Outer Tube |
| 6 | 50064777 | 1 | Inner Tube |
| 7 | 78578 | 1 | Roll Pin Inner Tube |
| 8 | 78570 | 1 | Yoke for Inner Tube |
| 9 | 50064911 | 1 | Outer Shield Bearing |

| REF. NO. | PART NO. | QTY. | DESCRIPTION |
|----------|----------|------|--------------------------|
| 10 | 71404 | 6 | Self Tapping Screw |
| 11 | 50064912 | 1 | Inner Shield Bearing |
| 12 | 50064890 | 2 | Shield Chain |
| 13 | 78786 | 1 | Danger Decal, Outer Tube |
| 14 | 78608 | 1 | Danger Decal, Inner Tube |
| 15 | 50064645 | 2 | Ball Collar Kit |
| 16 | 50064778 | 1 | Outer Half Assy. |
| 17 | 50064779 | 1 | Inner Half Assy. |
| 18 | 50064950 | 1 | Complete Shield Kit |



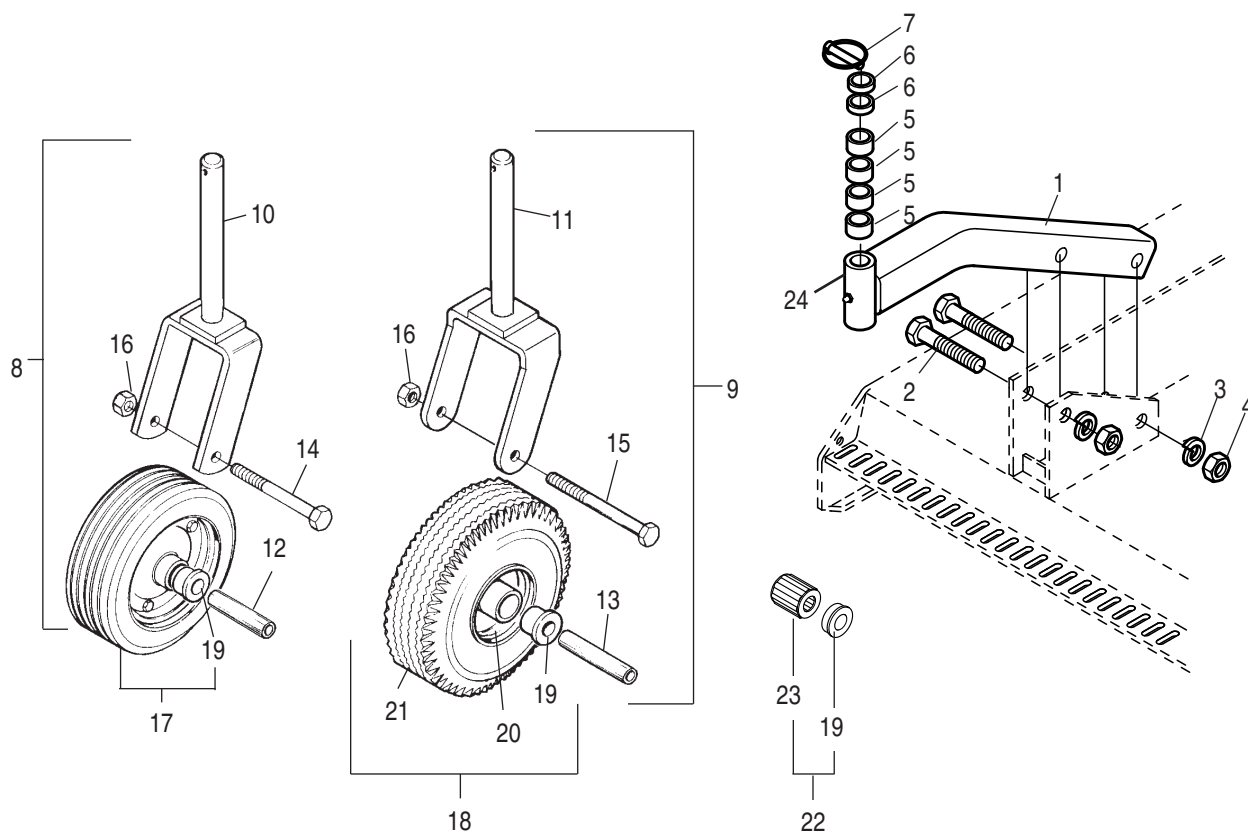
MAST & SUPPORTS FOR
For RDTH 60 & RDTH 72

| REF. NO. | PART NO. | QTY. | DESCRIPTION |
|----------|----------|------|------------------------------|
| 1 | 82815 | 1 | Flex Link |
| 2 | 88678 | 2 | Mast Half |
| 3 | 94934 | 2 | Mast Support 60" |
| | 95953 | 2 | Mast Support 72" |
| 4 | 88686 | 2 | Lift Arm |
| 5 | 82817 | 1 | Pivot Tube |
| 6 | 88687 | 2 | Lift Arm Spacer |
| 7 | 63765 | 2 | Lift Pin Cat. 1 |
| 8 | — | 2 | Capscrew 1/2" x 2" Gr. 5 |
| 9 | — | 1 | Capscrew 1/2" x 5" Gr. 5 |
| 10 | — | 4 | Capscrew 1/2" x 1-1/2" Gr. 5 |
| 11 | — | 7 | Lockwasher 1/2" |
| 12 | — | 7 | Hex Nut 1/2" |
| 13 | — | 2 | Flatwasher 1/2" |
| 14 | — | 2 | Lockwasher 7/8" |
| 15 | 44061 | 2 | Hex Nut 7/8" NF |



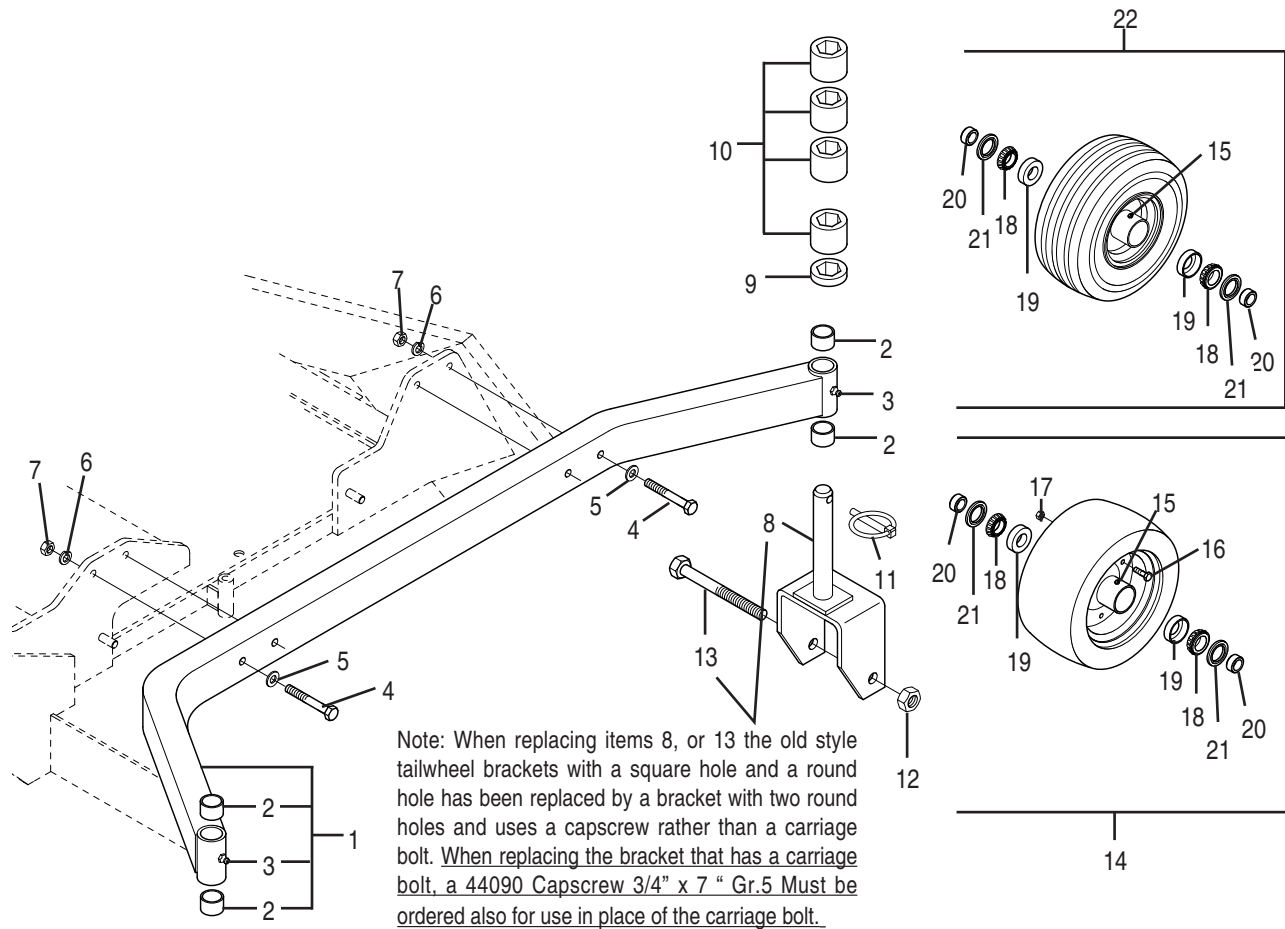
MAST & SUPPORTS
For Model RDTH 84

| REF. NO. | PART NO. | QTY. | DESCRIPTION |
|----------|----------|------|--------------------------|
| 1 | 50031576 | 2 | Mast |
| 2 | — | 2 | Capscrew 5/8" x 1-3/4" |
| 3 | — | 2 | Capscrew 1/2" x 3-1/2" |
| 4 | — | 2 | Flatwasher 1/2" |
| 5 | 44061 | 2 | Hex Nut 7/8" NF |
| 6 | — | 4 | Lockwasher 1/2" |
| 7 | 64114 | 1 | Flex Link Cat. 1 |
| 8 | 64113 | 1 | Pivot Tube |
| 9 | 50031581 | 2 | Mast Support |
| 10 | 50028325 | 2 | Lift Arm |
| 11 | — | 2 | Hex Nut 1/2" |
| 12 | 20414 | 2 | Flanged Locknut 5/8" |
| 13 | 20558 | 2 | Lynch Pin |
| 14 | 63765 | 2 | Lift Pin Cat. 1 |
| 15 | 20166 | 2 | Cotter Pin 1/8" x 1-1/4" |
| 16 | 50032155 | 2 | Clevis Pin |
| 17 | — | 1 | Capscrew 5/8" x 5-1/2" |
| 18 | — | 1 | Lockwasher 5/8" |
| 19 | — | 1 | Hex Nut 5/8" |
| 20 | 50038241 | 1 | Driveline Hanger |
| 21 | 20363 | 2 | Locknut 3/8" |
| 22 | — | 2 | Flatwasher 3/4" SAE |



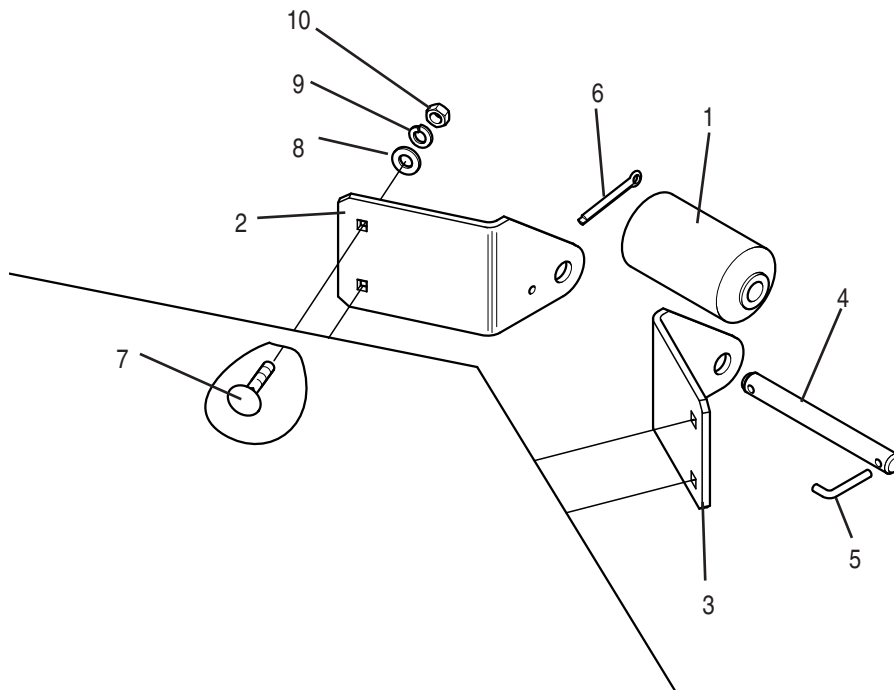
**CASTER ARM & WHEELS
FOR RDTH 60 & RDTH 72**

| REF. NO. | PART NO. | QTY. | DESCRIPTION |
|----------|----------|------|--|
| 1 | 94933 | 4 | Caster Arm Weldment |
| 2 | — | 8 | Capscrew 5/8" x 3-1/2" Gr. 5 |
| 3 | — | 8 | Lockwasher 5/8" |
| 4 | — | 8 | Hex Nut 5/8" |
| 5 | 84613 | 16 | Spacer 1" |
| 6 | 84612 | 8 | Spacer 1/2" |
| 7 | 20312 | 4 | Lynch Pin |
| 8 | 88683 | 4 | Solid Tire & Fork Assy. |
| 9 | 88956 | 4 | Pneumatic Tire & Fork Assy. |
| 10 | 88695 | 1 | Fork for Solid Tire |
| 11 | 88973 | 1 | Fork for Pneumatic Tire |
| 12 | 62574 | 1 | Sleeve (Solid Tire) |
| 13 | 88970 | 1 | Sleeve (Pneumatic Tire) |
| 14 | 44030 | 1 | Capscrew 1/2" x 5" (Solid Tire) |
| 15 | 20776 | 1 | Capscrew 1/2" x 6" (Pneumatic Tire) |
| 16 | 15554 | 1 | Locknut 1/2" |
| 17 | 87750 | 1 | Solid Tire Assy. |
| 18 | 88957 | 1 | Pneumatic Tire Assy. |
| 19 | 85398 | 2 | Bushing |
| 20 | 88971 | 1 | Rim w/Bushing |
| 21 | 88969 | 1 | Pneumatic Tire 410/350/4 |
| 22 | 91096 | 1 | Roller Bearing Kit (Optional, replacement for 4 wheels) |
| 23 | 90810 | 1 | Roller Bearing |
| 24 | 449 | 1 | Grease Fitting |



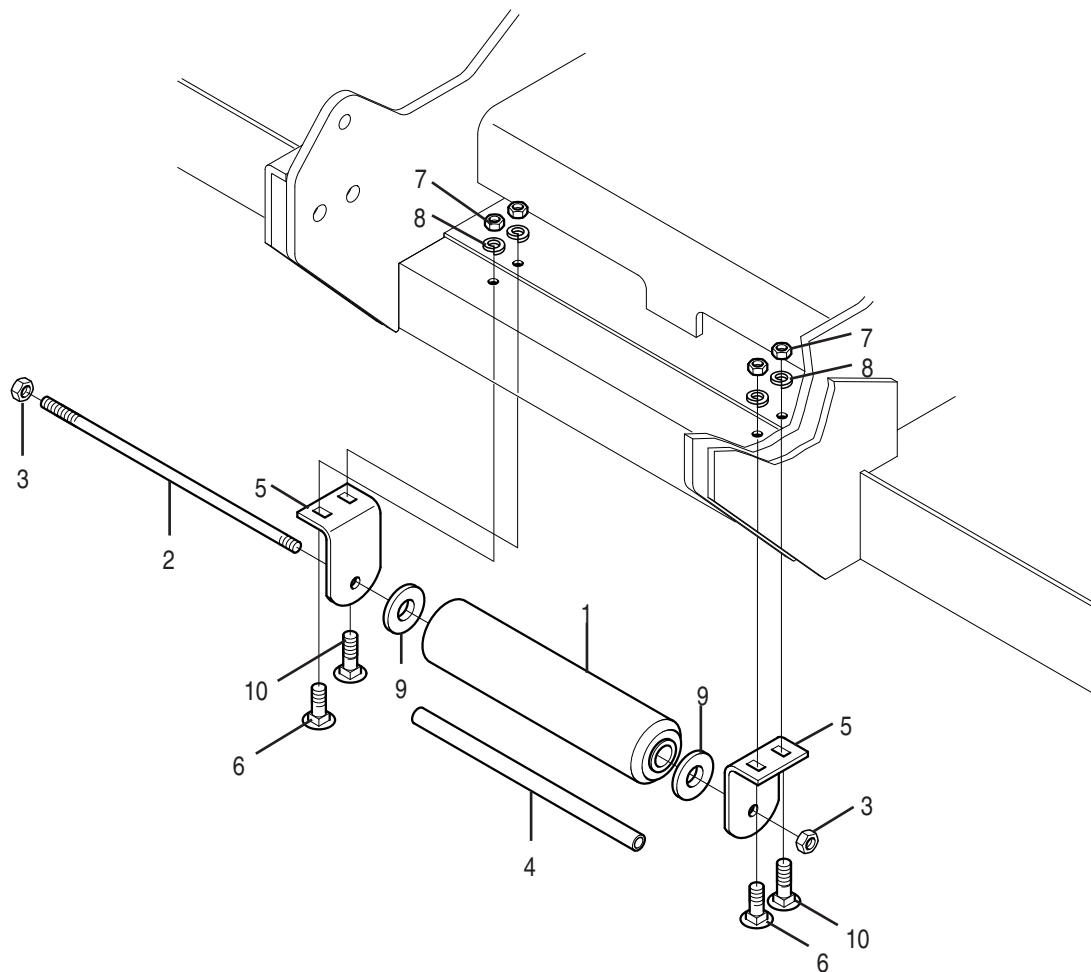
CASTER ARM & WHEELS For Model RDTH 84

| REF. NO. | PART NO. | QTY. | DESCRIPTION |
|----------|----------|------|-------------------------------------|
| 1 | 50031587 | 2 | Caster Arm Assembly |
| 2 | 50021066 | 8 | Bronze Bushing |
| 3 | 449 | 4 | Grease Fitting |
| 4 | — | 8 | Cap screw 5/8" x 3-1/2" |
| 5 | — | 8 | Flatwasher 5/8" |
| 6 | — | 8 | Lockwasher 5/8" |
| 7 | — | 8 | Hex Nut 5/8" |
| 8 | 50031881 | 4 | Caster Fork Weldment |
| 9 | 99291 | 4 | Spacer, 1/2" |
| 10 | 99290 | 16 | Spacer, 1" |
| 11 | 50017304 | 4 | Lynch Pin |
| 12 | 20638 | 4 | Locknut 3/4" |
| 13 | 44090 | 4 | Cap screw 3/4" x 7" Gr.5 |
| 14 | 50031954 | 4 | Tire & Hub Assembly, Solid Tire |
| 15 | 50053794 | 4 | Grease Fitting |
| 16 | — | 20 | Cap screw 5/16" x 1" |
| 17 | — | 20 | Locknut 5/16" |
| 18 | 50073 | 8 | Bearing Cone |
| 19 | 14-6-198 | 8 | Bearing Cup |
| 20 | 50031285 | 8 | Spacer |
| 21 | 50031458 | 8 | Seal |
| 22 | 50031284 | 4 | Tire & Hub Assembly, Pneumatic Tire |



FRONT ROLLER ASSEMBLY
For RDTH 60 & RDTH 72

| REF. NO. | PART NO. | QTY. | DESCRIPTION |
|----------|----------|------|----------------------------------|
| 1 | 79057 | 1 | Front Roller |
| 2 | 90865 | 1 | Left Roller Mount |
| 3 | 90864 | 1 | Right Roller Mount |
| 4 | 83055 | 1 | Roller Shaft |
| 5 | 83054 | 1 | Retainer |
| 6 | 19443 | 1 | Roll Pin 3/13" x 2" |
| 7 | 5161212 | 4 | Carriage Bolt 3/8" x 1 1/4" Gr.5 |
| 8 | — | 4 | Flatwasher 3/8" |
| 9 | — | 4 | Lockwasher 3/8" |
| 10 | — | 4 | Hex Nut 3/8" |



FRONT ROLLER ASSEMBLY
For Model RDTH 84

| REF. NO. | PART NO. | QTY. | DESCRIPTION |
|----------|----------|------|------------------------------|
| 1 | 95415 | 1 | Roller Assembly |
| 2 | 50021173 | 1 | Stud |
| 3 | 15554 | 3 | Locknut 1/2" |
| 4 | 50021172 | 1 | Sleeve |
| 5 | 50028237 | 2 | Roller Bracket |
| 6 | 44109 | 2 | Carriage Bolt 3/8" x 1" Gr.5 |
| 7 | — | 4 | Hex Nut 3/8" |
| 8 | — | 8 | Lockwasher 3/8" |
| 9 | 15921 | 2 | Flatwasher 3/4" |
| 10 | 19418 | 2 | Carriage Bolt 3/8" x 1-1/4" |



BUSH HOG[®]

2501 Griffin Ave. • Selma, AL 36703
(334) 872-6261 • (334) 874-2700
Parts Ordering 1-800-304-2836
Fax 1-800-572-1784
www.bushhog.com